

Excellent Integrated System Limited

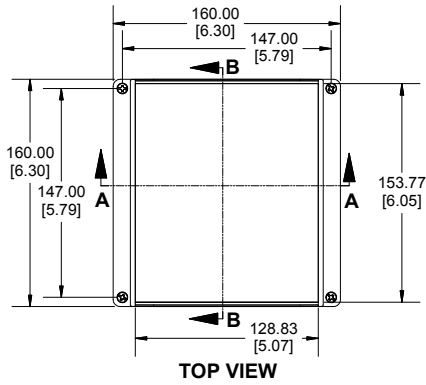
Stocking Distributor

Click to view price, real time Inventory, Delivery & Lifecycle Information:

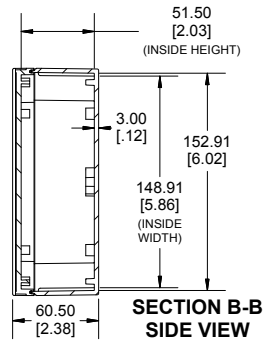
[Hammond Manufacturing](#)
[1555RGY](#)

For any questions, you can email us directly:

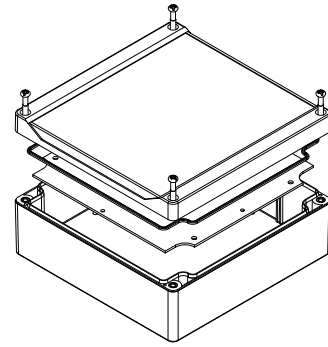
sales@integrated-circuit.com



TOP VIEW



**SECTION B-B
SIDE VIEW**



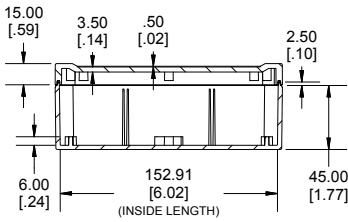
POLYCARBONATE
VERSION ONLY
UL US LISTED
FILE #E65324
NEMA 4, 4X

Enclosures can be Factory Modified (Milling, Drilling, Printing etc.)
Contact Factory mjm@hammondmfg.com for quotes
Solid models of this enclosure available in STEP or IGES.
(Part number and text placement/orientation on our products are subject to change,
we do not recommend using them as a locating reference for modification purposes)

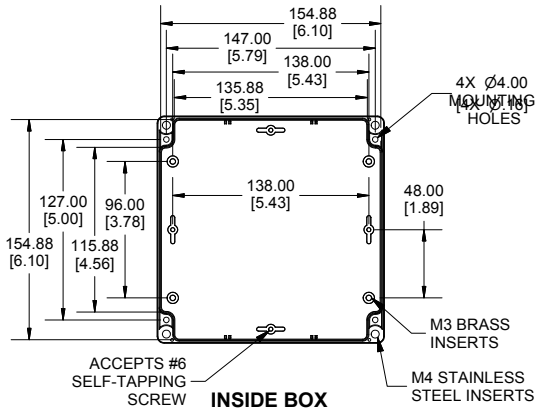
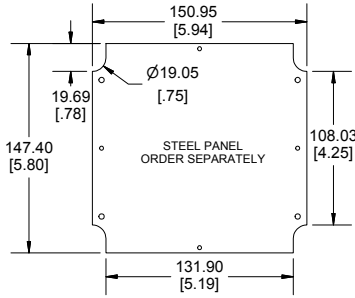
NOTE

Purchased assembly includes box, styled lid, 4 cover screws, and preformed silicone gasket.
General Purpose ABS version is not UL approved. (Matt UL94 - HB)
Polycarbonate version is UL 508 approved. (Matt UL94 - 5VA @ 3mm)

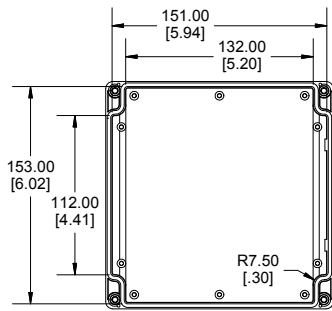
Recommended Cover screw torque -- 2.5 lbf-in (30 cN-m)



**SECTION A-A
SIDE VIEW**



INSIDE BOX



INSIDE LID

Dimensions:
mm
[inches]

1555R	
1555R Regular Enclosure	
General Purpose ABS RAL-7035	1555RGY
Polycarbonate RAL-7035	1555R2GY
ACCESSORIES	
Steel Inner Panels	1554RPL
Steel Panel / P.C. Board Machine Screw [M3 x 8mm Plated]	1591MM100
Steel Panel / P.C. Board Self Tapping Screw [#6 X 1/4" (6.4mm) Plated]	1598ATS100
Cover Screws (Pkg 4) [M4 X 20mm Stainless Steel]	SC1554
Silicone Pre-formed Gasket Black	1554RGASKET



www.hammondmfg.com