

## **Excellent Integrated System Limited**

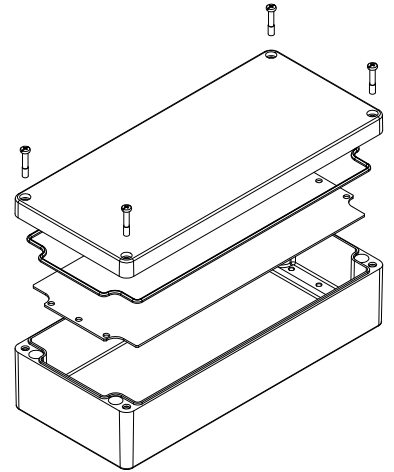
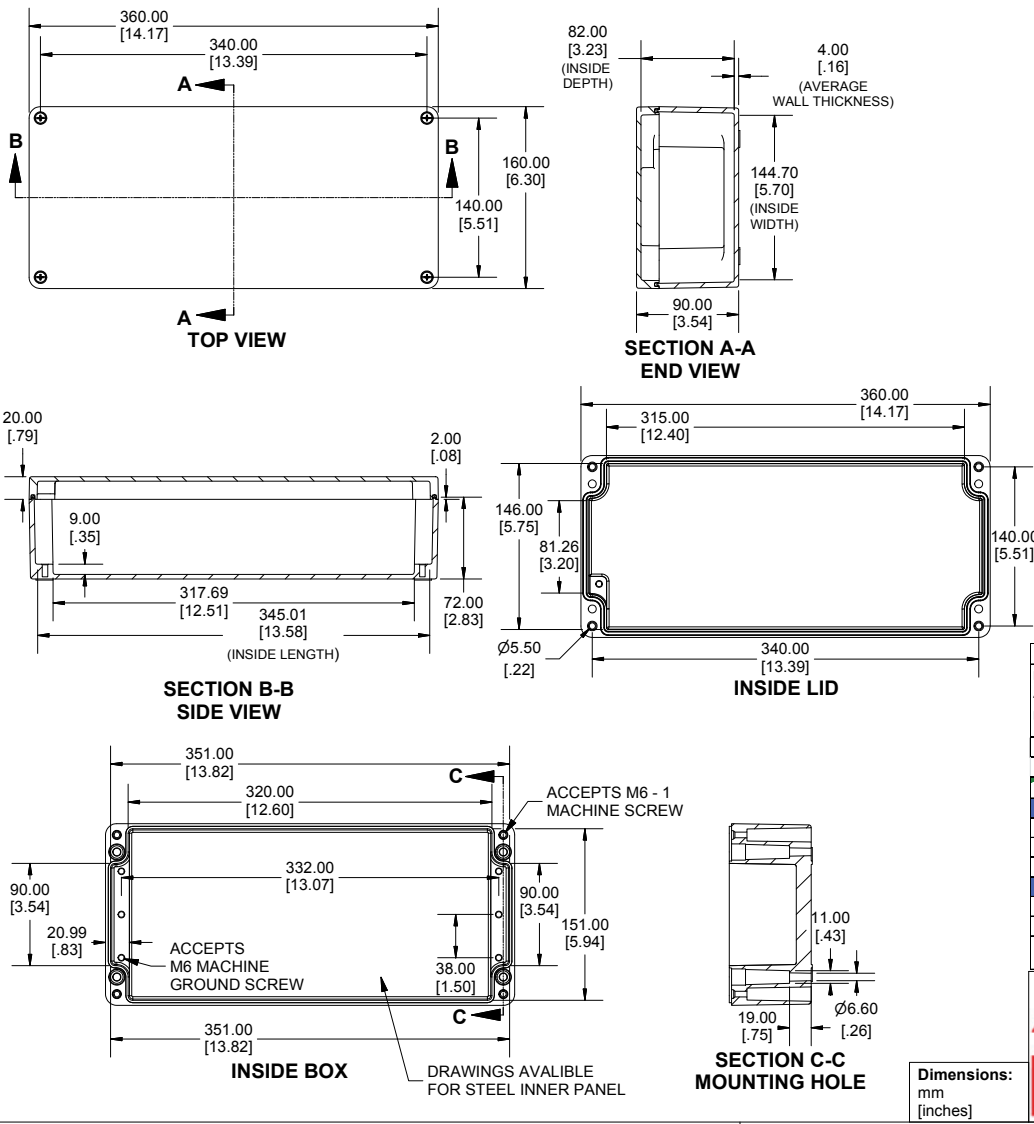
Stocking Distributor

Click to view price, real time Inventory, Delivery & Lifecycle Information:

[Hammond Manufacturing](#)  
[1590Z166](#)

For any questions, you can email us directly:

[sales@integrated-circuit.com](mailto:sales@integrated-circuit.com)



UL US LISTED  
 FILE #E65324  
 NEMA 4, 4X

Enclosures can be Factory Modified ( Milling, Drilling, Printing etc.)  
 Contact Factory mjm@hammondmfg.com for quotes  
 Solid models of this enclosure available in STEP or IGES.  
 (Part number and text placement/orientation on our products are subject to change, we do not recommend using them as a locating reference for modification purposes)

**NOTE**

Purchased assembly includes box, lid, silicone gasket, 4 cover screws and 4 ground screws with washers. Box and lid are made from Diecast Aluminum Alloy.

**Recommended cover screw Torque 15-17 lbf.in ( 150 -170 cN.m)**

1590Z166	
1590Z166 Enclosure	
Basic Enclosure	1590Z166
Black Enclosure	1590Z166BK
Grey Enclosure - RAL7001 Gloss	1590Z166GY
ACCESSORIES	
Steel Inner Panel	1590Z166PL
Pre-Formed Silicone Gasket	1590Z166G
Copper Ground Hardware (4 Pack) [M6 - 1.0 X 10mm / M6 Washer]	SCGM6

**HAMMOND MANUFACTURING.**

**1590Z166**

www.hammondmfg.com

Dimensions:  
 mm  
 [inches]