

Excellent Integrated System Limited

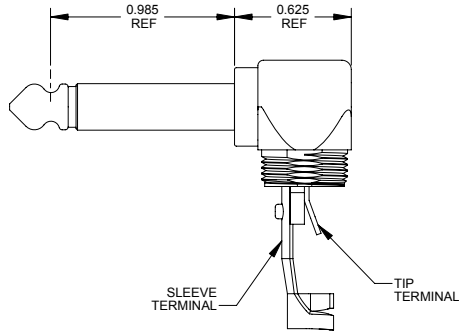
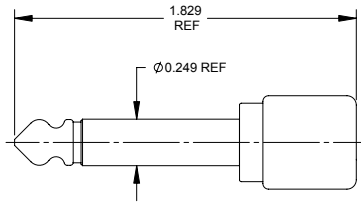
Stocking Distributor

Click to view price, real time Inventory, Delivery & Lifecycle Information:

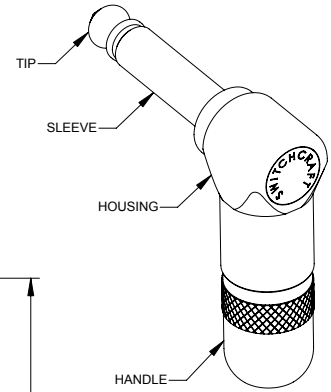
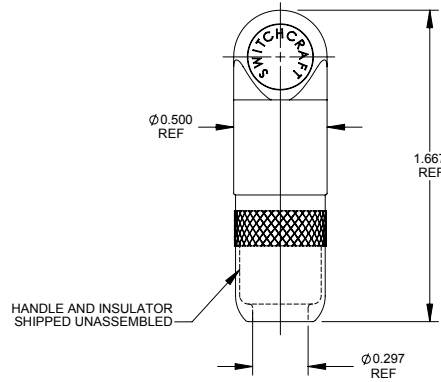
[Switchcraft Inc.](#)
[226](#)

For any questions, you can email us directly:

sales@integrated-circuit.com



VIEW WITHOUT HANDLE AND INSULATOR



SPECIFICATIONS:

- MATERIAL**
 - TIP ROD AND HANDLE - BRASS, NICKEL PLATED
 - HOUSING AND SLEEVE - ZINC DIE CAST, COPPER AND NICKEL PLATED
 - TIP TERMINAL - BRASS, TIN PLATED
 - SLEEVE (CLAMP) TERMINAL - STEEL, TIN PLATED
 - INSULATION - THERMOPLASTIC

- ELECTRICAL**
 - DIELECTRIC WITHSTANDING VOLTAGE : 500 VAC
 - INSULATION RESISTANCE: 50,000 MEGOHMS MINIMUM (INITIAL)

- OPERATING TEMPERATURE**
 - 20°C TO +65°C

- MATING JACK**
 - TYP, 1/4 INCH, COMMERCIAL TYPE, 2 CONDUCTOR PHONE JACK

THIS PRODUCT IS RoHS COMPLIANT

CUSTOMER DRAWING

					UNLESS OTHERWISE SPECIFIED					THIS DRAWING DESCRIBES A DESIGN CONSIDERED PROPRIETARY IN NATURE, DEVELOPED AND MANUFACTURED BY SWITCHCRAFT INC. AND IS RELEASED ON A CONFIDENTIAL BASIS FOR IDENTIFICATION PURPOSES ONLY.						
					1. ALL DIMENSIONS IN INCHES					SIZE *	WIDTH *	MULT *	LBS/M *	TEMPER *		
					- TWO PLACE DECIMALS ±0.02					FINISH		MATERIAL				
					- THREE PLACE DECIMALS ±0.005					SPEC No.		SPEC No.				
F	25760	12-5-07	TJK	TJK	FIRST USED ON		SCALE		Switchcraft®							
E	CAD REDRAW 25124	10-28-05	JL	GG	DATE DRAWN	BY	CHKD	APVD								
REV	ECO NUMBER	DATE	BY	APVD	10-28-05	JL	GG	GG								
REVISIONS					DO NOT SCALE DRAWING					NAME RA PHONE PLUG, 2 CONDUCTOR, RoHS						
										PART No.		226		REV F		

SolidWorks CAD File