

## Excellent Integrated System Limited

Stocking Distributor

Click to view price, real time Inventory, Delivery & Lifecycle Information:

[Samtec, Inc.](#)  
[CES-150-01-S-D](#)

For any questions, you can email us directly:  
[sales@integrated-circuit.com](mailto:sales@integrated-circuit.com)

REV S

NOTES:

- CONTACT RETENTION 2 LB MIN EXCEPT ON POSITONS NEXT TO CUT, THEN 1 LB MIN.
- MAX ALLOWABLE BOW: .006 [.15] IN/IN
- "END WALLS" AFTER CUTTING SHOULD BE  $.015 \pm .005$  [ $.38 \pm .13$ ]
- ⊕ REPRESENTS A CRITICAL DIMENSION.
- CUT FLASH: .015 [.38] MAX WITH NO FLASH ALLOW IN HOLES.
- .003 [.08] MAX TERMINAL BURR.
- NOTE DELETED.

DIMENSIONS ARE IN INCHES UNLESS OTHERWISE NOTED		TOLERANCES ARE:	TITLE: CLOSED ENTRY SOCKET STRIP DOUBLE ROW ASSEMBLY	DWG NO: CES-1XX-XX-X-D
ONE PLACE DECIMALS ± .1 [3]	THREE PLACE DECIMALS ± .005 [.13]	ANGLES ± 2°	SHEET 1 OF 1	
TWO PLACE DECIMALS ± .01 [3]	FOUR PLACE DECIMALS ± .0020 [.051]			

CES-1XX-XX-X-D

POSITION SPECIFICATIONS

-01 THRU -50

CONTACT LEAD STYLE

-01: "A" =  $.128 \pm .002$  [ $3.25 \pm .05$ ]

(USE C-45-01-X)

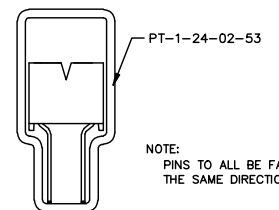
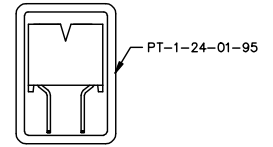
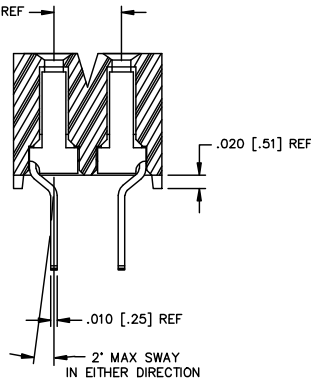
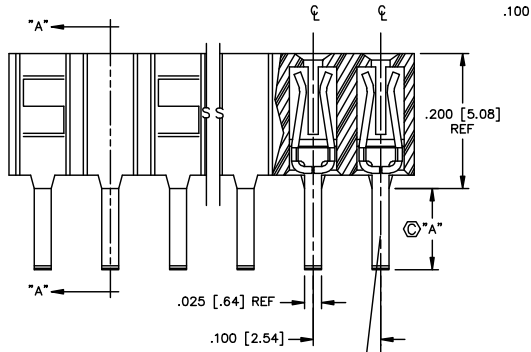
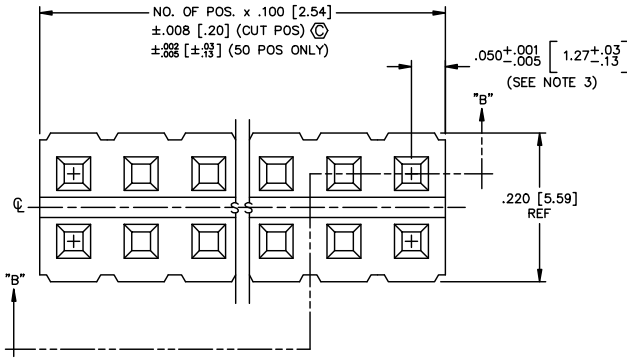
-02: "A" = .223 [5.66] (USE C-45-02-X)

ROW SPECIFICATION

-D: DOUBLE (USE CES-XX-D)

PLATING SPECIFICATIONS

- T: TIN - SPECIFY -T IN CONTACT SUFFIX -X
- G: GOLD - SPECIFY -G IN CONTACT SUFFIX -X
- S: SELECTIVE - SPECIFY -S IN CONTACT SUFFIX -X
- F: FLASH GOLD - SPECIFY -F IN CONTACT SUFFIX -X (AVAILABLE IN -01 LEAD STYLE ONLY)



PACKAGING TABLE (5 POS MIN)

CONTACT LEAD STYLE	PACKAGING TUBE	TUBE PLUG
-01	PT-1-24-01-95	TP-09
-02	PT-1-24-02-53	TP-09

DO NOT SCALE FROM THIS PRINT

**PROPRIETARY NOTE**  
THIS DOCUMENT CONTAINS INFORMATION CONFIDENTIAL AND PROPRIETARY TO SAMTEC INC. AND SHALL NOT BE REPRODUCED OR TRANSMITTED IN ANY FORM OR BY ANY MEANS, ELECTRONIC OR MECHANICAL, INCLUDING PHOTOCOPYING, RECORDING, OR BY ANY INFORMATION STORAGE AND RETRIEVAL SYSTEM, WITHOUT THE WRITTEN CONSENT OF SAMTEC INC.

MATERIAL: GLASS FILLED POLYESTER  
COLOR: BLACK

TERMINAL: PHOS BRONZE

**samtec**

520 PARK EAST BLVD. NEW ALBANY, INDIANA 47150  
PHONE (812) 944-6733 P.O. BOX 1147  
CODE 55322

MADE BY: REIDINGER 9-9-92 CES-1XX-XX-X-D SHEET 1 OF 1