

Excellent Integrated System Limited

Stocking Distributor

Click to view price, real time Inventory, Delivery & Lifecycle Information:

[TE Connectivity Raychem Circuit Protection
RUEF900-1](#)

For any questions, you can email us directly:

sales@integrated-circuit.com

Tyco / Electronics
Raychem Circuit Protection
 308 Constitution Drive
 Menlo Park, CA 94025
 Phone: 800-227-4856
 Fax: 800-227-4866

PolySwitch®
PTC Devices
 Overcurrent Protection Device

PRODUCT: RUEF900

DOCUMENT: SCD 25181
 PCN: A31317
 REV LETTER: C
 REV DATE: APRIL 15, 2005
 PAGE NO.: 1 OF 1

Specification Status: Released

Maximum Electrical Rating at 20°C

30 V_{DC} / 100 A_{DC}
30 V_{AC} / 70 A_{RMS}

Insulating Material:
 Cured, Flame Retardant Epoxy Polymer
 meets UL94 V-0 Requirements

Lead Material:
 20 AWG Tin Plated Copper

- Marking:
- Raychem Logo and Voltage
 - Part Identification
 - Lot Identification (can be on back)

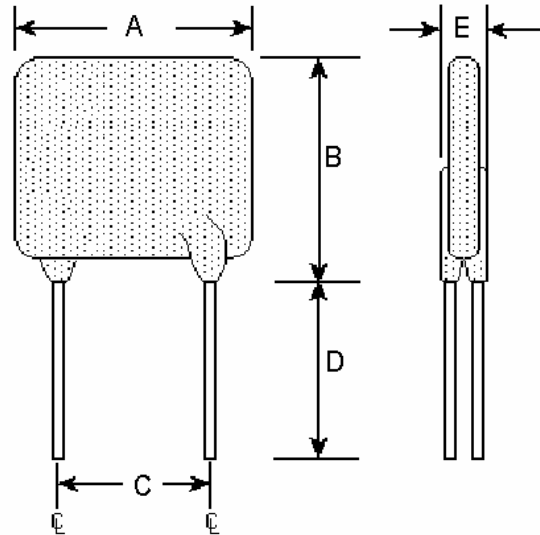


TABLE I. DIMENSIONS:

	A		B		C		D		E	
	MIN	MAX	MIN	MAX	MIN	MAX	MIN	MAX	MIN	MAX
mm:	--	24.1	--	29.0	9.4	10.9	7.6	--	--	3.0
in*:	--	(0.95)	--	(1.14)	(0.37)	(0.43)	(0.30)	--	--	(0.12)

*Rounded off approximation

PERFORMANCE RATINGS:

TABLE II.

I HOLD	CURRENT RATINGS		TIME TO TRIP	RESISTANCE		ONE-HOUR POST-TRIP RESISTANCE STANDARD TRIP	NOMINAL TRIPPED POWER DISSIPATION
AMPS 20°C HOLD	AMPS AT 20°C HOLD	AMPS AT 20°C TRIP	SECONDS AT 20°C, 45.0A MAX	OHMS AT 20°C MIN	OHMS AT 20°C MAX	OHMS AT 20°C MAX	WATTS AT 20°C
9.00	9.00	18.00	20.0	0.005	0.01	0.02	4.2

Agency Recognitions:
 Reference Documents:
 Precedence:
 Effectivity:
 CAUTION:

UL, CSA, TUV
 PS300
 This specification takes precedence over documents referenced herein.
 Reference documents shall be the issue in effect on the date of invitation for bid.
 Operation beyond the rated voltage or current may result in rupture, electrical arcing or flame.

Materials Information

ROHS Compliant ELV Compliant Pb-Free

