

## Excellent Integrated System Limited

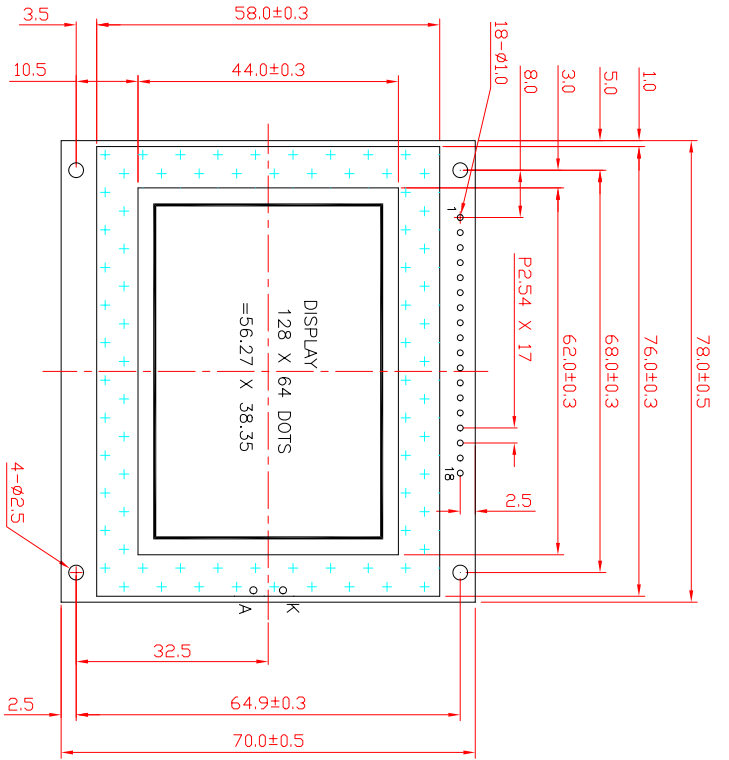
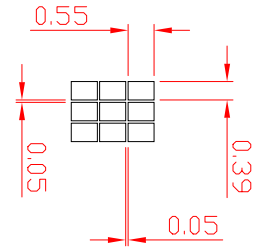
Stocking Distributor

Click to view price, real time Inventory, Delivery & Lifecycle Information:

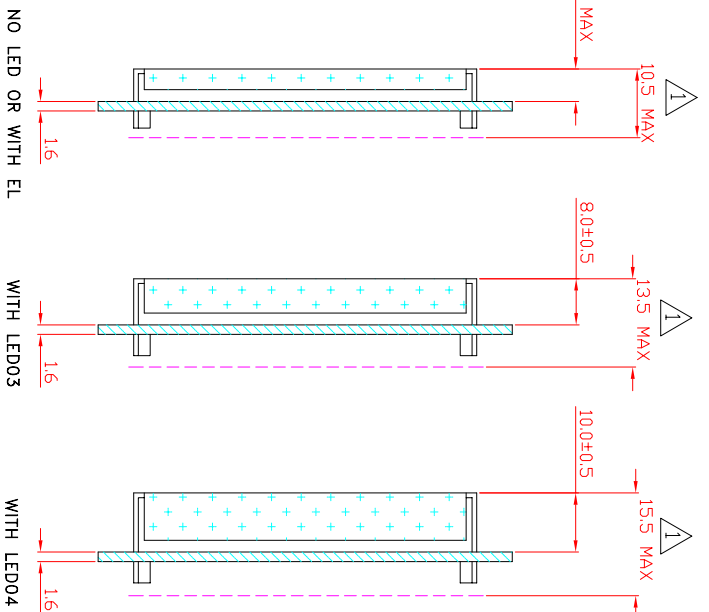
[Varitronix International Ltd.](#)  
[MGLS-12864TZ-HT-FSTN-LED5W](#)

For any questions, you can email us directly:

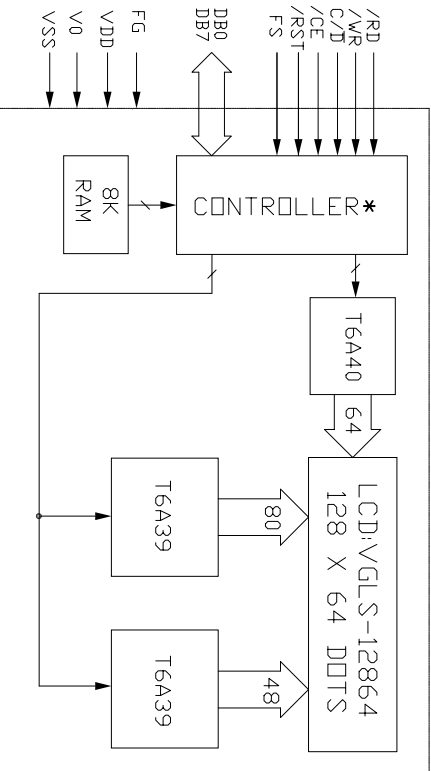
[sales@integrated-circuit.com](mailto:sales@integrated-circuit.com)



1	FG	2	VSS	3	VDD	4	VO	5	/WR	6	/RD	7	/CE	8	C/D	9	/RST	10	DB0	11	DB1	12	DB2	13	DB3	14	DB4	15	DB5	16	DB6	17	DB7	18	FS
---	----	---	-----	---	-----	---	----	---	-----	---	-----	---	-----	---	-----	---	------	----	-----	----	-----	----	-----	----	-----	----	-----	----	-----	----	-----	----	-----	----	----



NOTES:  
 "△" SPECIAL CHARACTERISTIC  
 "◇" SAFETY CHARACTERISTIC  
 "+" REFERENCE ONLY  
 "<" CRITICAL DIMENSION

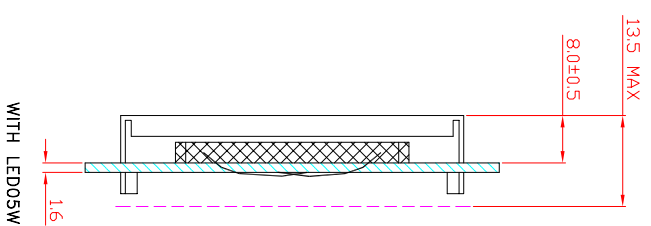
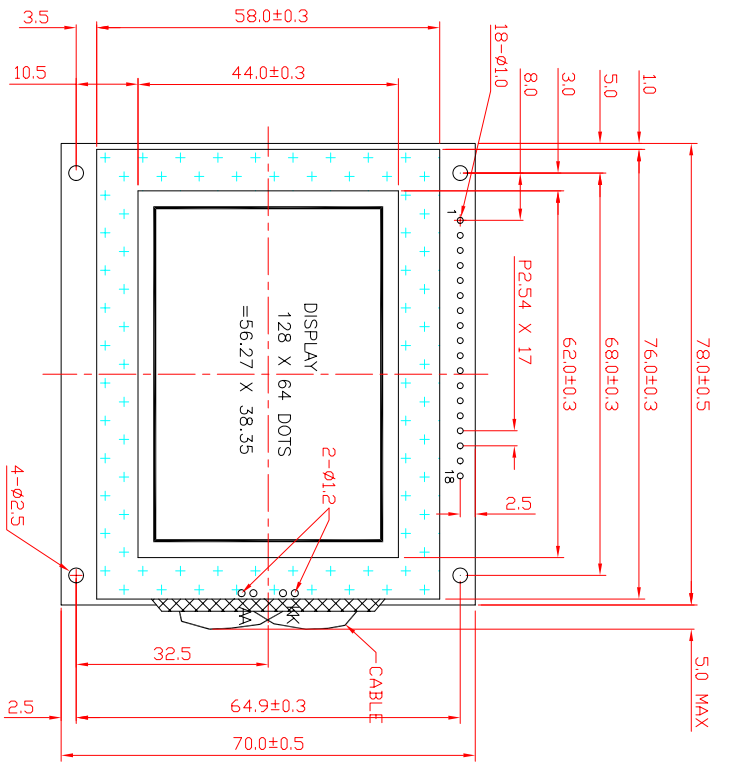
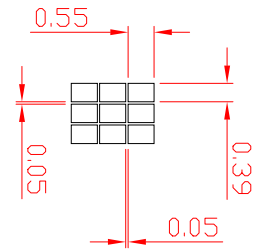


\* T6963C OR EQUIVALENT

**VARITRONIX LIMITED**

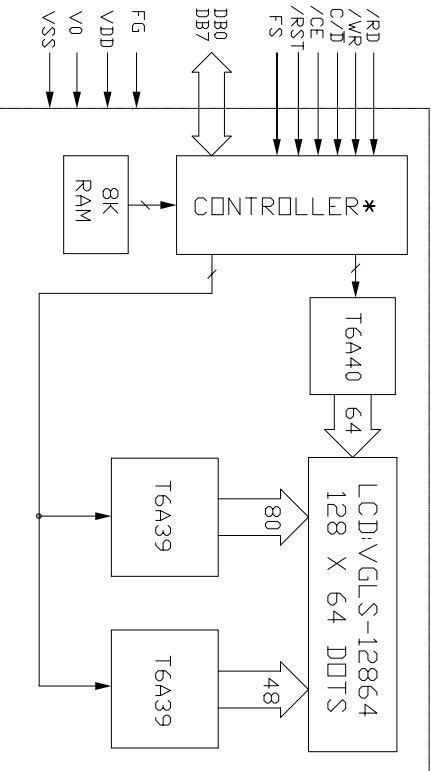
ISSUE	AMENDMENT
△	ADD NOTES UPDATE DIMENSION
△	ADD LED05
△	

TITLE: SPECIFICATION OF MODULE		
PROJECT NO: MGLS-12864		
TOLERANCE UNLESS OTHERWISE SPECIFIED:	X.X ±0.3 X.XX ±0.1	
MATERIAL:	FINISH:	
SCALE: DO NOT ON SCALE	THICKNESS:	
THIRD ANGLE PROJECTION		
DRAWN	NAME	SIGN
CHECKED	LUO XIAN GANG	
APPROVED	ZHOU CHUN HUA	
	CHARM	
ITEM NO. MGLS12864T-X		
DESCRIPTION: MGLS-12864		
FILE NO: MGLS-12864-XX R2.DWG		
SHEET	1	OF



1	FG	2	VSS	3	VDD	4	VO	5	/WR	6	/RD	7	/CE	8	C/D	9	/RST	10	DB0	11	DB1	12	DB2	13	DB3	14	DB4	15	DB5	16	DB6	17	DB7	18	FS
---	----	---	-----	---	-----	---	----	---	-----	---	-----	---	-----	---	-----	---	------	----	-----	----	-----	----	-----	----	-----	----	-----	----	-----	----	-----	----	-----	----	----

- NOTES:
- △ SPECIAL CHARACTERISTIC
  - ◇ SAFETY CHARACTERISTIC
  - + REFERENCE ONLY
  - <> CRITICAL DIMENSION



\* T6963C OR EQUIVALENT

**VARITRONIX LIMITED**

ISSUE	AMENDMENT
△	ADD NOTES UPDATE DIMENSION
△	ADD LED05

TITLE: SPECIFICATION OF MODULE	
PROJECT NO: MGLS-12864	
TOLERANCE UNLESS OTHERWISE SPECIFIED:	X.X ±0.3 X.XX ±0.1
DIMENSIONS IN MM	FINISH: THICKNESS:
SCALE: DO NOT ON SCALE	
THIRD ANGLE PROJECTION	
DRAWN	NAME: LUO XIAN GANG SIGN:
CHECKED	NAME: ZHOU CHUN HUA SIGN:
APPROVED	NAME: CHARM SIGN:
ITEM NO. MGLS12864T-X	
DESCRIPTION: MGLS-12864	
FILE NO: MGLS-12864-XX R2.DWG	
SHEET 2 OF	