

Excellent Integrated System Limited

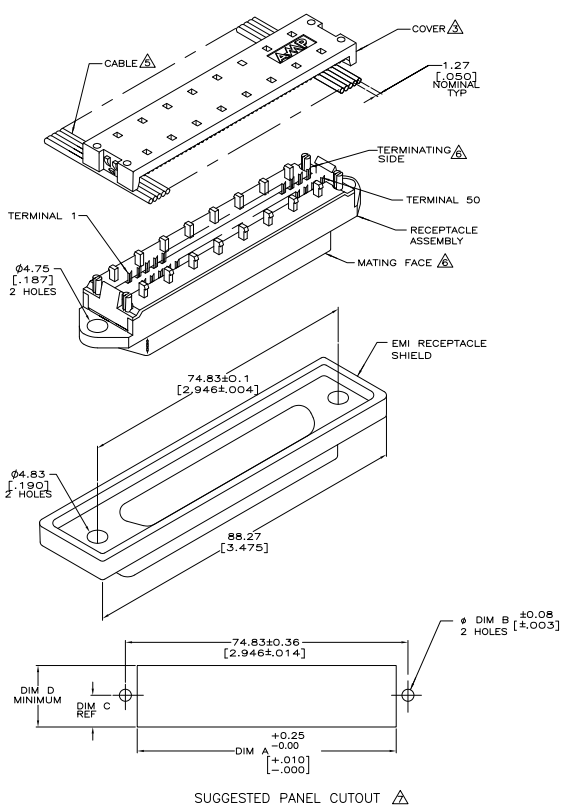
Stocking Distributor

Click to view price, real time Inventory, Delivery & Lifecycle Information:

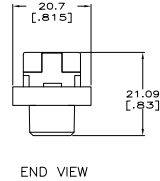
[TE Connectivity AMP Connectors](#)
[5554350-1](#)

For any questions, you can email us directly:

sales@integrated-circuit.com



- THE CONTACT SURFACES OF THE TERMINALS ARE COATED WITH LUBRICANT.
- MATERIAL: HOUSING & COVER - POLYPHENYLENE OXIDE (BLACK). TERMINALS - PHOS BRONZE PLATED WITH EITHER 0.76µm [0.00030] MINIMUM GOLD PLATE OR GOLD FLASH OVER 0.76µm [0.00030] MINIMUM PALLADIUM NICKEL PLATE ON MATING SURFACE. GOLD FLASH PLATED ON TERMINATING SIDE. 1.27µm [0.00050] MINIMUM NICKEL UNDERPLATE OVER ENTIRE TERMINAL. EMI SHIELD - NICKEL PLATED DIE CASTING.
- COVER SHOWN LOOSE BUT SHIPPED ASSEMBLED.
- WIRE RANGE: 26 AWG SOLID THRU 30 AWG SOLID AND 28 AWG STRANDED RIBBON CABLE.
- FLAT CABLE SHALL BE FURNISHED BY CUSTOMER.
- MATING FACE CONSISTS OF TWO ROWS OF TERMINALS ON 2.16 [0.085] CENTERS. TERMINATING SIDE CONSISTS OF TERMINALS ON 2.45 [0.100] CENTERS FOR AN EFFECTIVE 1.27 [0.050] TERMINATION.
- PANEL THICKNESS RANGE: OUTSIDE MOUNTING - 3.18 [0.125] MAXIMUM INSIDE MOUNTING - 1.58 [0.062] MAXIMUM
- EMI SHIELD SHIPPED LOOSE.
- ALL DIMENSIONS SHOWN ARE MAXIMUM UNLESS OTHERWISE SPECIFIED.



OBSELETE

DIM D	DIM C	DIM B	DIM A	DESCRIPTION	PART NUMBER
15.75 [0.620]	7.87 [0.310]	3.78 [0.149]	68.58 [2.700]	REAR PANEL MOUNTING	5554350-1
16.26 [0.640]	8.13 [0.320]	3.2 [0.126]	68.58 [2.700]	FRONT PANEL MOUNTING	

THIS DRAWING IS A CONTROLLED DOCUMENT		E. W. MULLIGAN, DESIGNER		TEC Distribution Corporation, Harrisburg, PA 17105-3608	
UNLESS OTHERWISE SPECIFIED:	ALL DIMENSIONS IN MILLIMETERS	DATE	108-6076	EMI RECEPTACLE ASSEMBLY, 50 POSITION, LOW PROFILE, SHIELDED, CHAMP LATCH	
SCALE	1:1	DATE	114-6030	TRIAL ONE USE	ISSUED TO 100779
APPROVED		DATE		REVISED TO	5554350
CUSTOMER DRAWING		SCALE	2:1	SHEET	1 OF 1