

Excellent Integrated System Limited

Stocking Distributor

Click to view price, real time Inventory, Delivery & Lifecycle Information:

[STMicroelectronics](#)
[2STD1665T4](#)

For any questions, you can email us directly:

sales@integrated-circuit.com



2STD1665

Low voltage fast-switching NPN power transistor

Features

- Very low collector to emitter saturation voltage
- High current gain characteristic
- Fast-switching speed

Applications

- Voltage regulators
- High efficiency low voltage switching applications

Description

The device is a low voltage NPN transistor with exceptional high gain performance coupled with very low saturation voltage. It is designed in planar technology with "base island" layout.

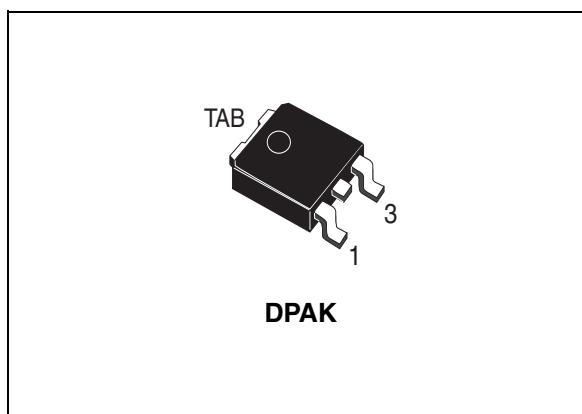


Figure 1. Internal schematic diagram

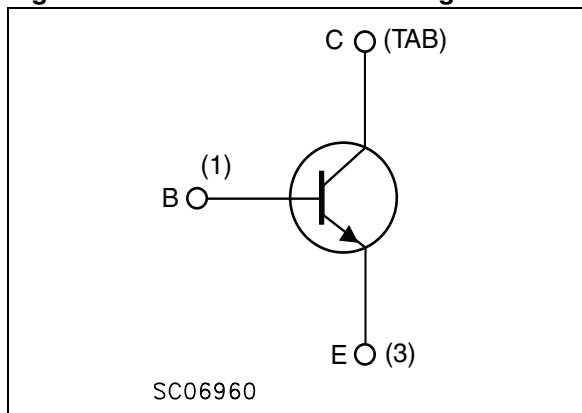


Table 1. Device summary

Order code	Marking	Packages	Packaging
2STD1665T4	D1665	DPAK	Tape and reel

1 Electrical ratings

Table 2. Absolute maximum ratings

Symbol	Parameter	Value	Unit
V_{CBO}	Collector-base voltage ($I_E = 0$)	150	V
V_{CEO}	Collector-emitter voltage ($I_B = 0$)	65	V
V_{EBO}	Emitter-base voltage ($I_C = 0$)	7	V
I_C	Collector current	6	A
I_{CM}	Collector peak current ($t_p < 5ms$)	20	A
I_B	Base current	1	A
P_{tot}	Total dissipation at $T_a = 25\text{ °C}$	15	W
T_{stg}	Storage temperature	-65 to 150	°C
T_J	Max. operating junction temperature	150	°C

Table 3. Thermal data

Symbol	Parameter	Value	Unit
$R_{thj-a}^{(1)}$	Thermal resistance junction-ambient	max 8.33	°C/W

1. Device mounted on a PCB area of 1 cm²

2 Electrical characteristics

($T_{case} = 25^{\circ}\text{C}$ unless otherwise specified).

Table 4. Electrical characteristics

Symbol	Parameter	Test conditions	Min.	Typ.	Max.	Unit
I_{CBO}	Collector cut-off current ($I_E = 0$)	$V_{CB} = 120\text{ V}$ $V_{CB} = 120\text{ V}$ $T_C = 100^{\circ}\text{C}$			50 1	nA μA
I_{EBO}	Emitter cut-off current ($I_C = 0$)	$V_{EB} = 7\text{ V}$			10	nA
$V_{(BR)CBO}^{(1)}$	Collector-base breakdown voltage ($I_E = 0$)	$I_C = 100\ \mu\text{A}$	150			V
$V_{(BR)CEO}^{(1)}$	Collector-emitter breakdown voltage ($I_B = 0$)	$I_C = 10\text{ mA}$	65			V
$V_{(BR)EBO}^{(1)}$	Emitter-base breakdown voltage ($I_C = 0$)	$I_E = 100\ \mu\text{A}$	7			V
$V_{CE(sat)}^{(1)}$	Collector-emitter saturation voltage	$I_C = 100\text{ mA}$ $I_B = 5\text{ mA}$ $I_C = 1\text{ A}$ $I_B = 50\text{ mA}$ $I_C = 2\text{ A}$ $I_B = 50\text{ mA}$ $I_C = 6\text{ A}$ $I_B = 150\text{ mA}$ $I_C = 6\text{ A}$ $I_B = 300\text{ mA}$			50 120 200 600 380	mV mV mV mV mV
$V_{BE(sat)}^{(1)}$	Base-emitter saturation voltage	$I_C = 4\text{ A}$ $I_B = 200\text{ mA}$		1	1.15	V
$V_{BE(on)}^{(1)}$	Base-emitter on voltage	$I_C = 4\text{ A}$ $V_{CE} = 1\text{ V}$		0.85	1	V
h_{FE}	DC current gain	$I_C = 10\text{ mA}$ $V_{CE} = 1\text{ V}$ $I_C = 2\text{ A}$ $V_{CE} = 1\text{ V}$ $I_C = 5\text{ A}$ $V_{CE} = 1\text{ V}$ $I_C = 10\text{ A}$ $V_{CE} = 1\text{ V}$	150 150 90 30	320 310 175 65	350	
C_{CBO}	Collector-base capacitance ($I_E=0$)	$V_{CB} = 10\text{ V}$ $f = 1\text{ MHz}$		45		pF
t_{on} t_s t_f	Resistive load Turn-on time Storage time Fall time	$I_C = 3\text{ A}$ $V_{CC} = 10\text{ V}$ $I_{B(on)} = -I_{B(off)} = 300\text{ mA}$ $V_{BB(off)} = -5\text{ V}$		90 800 90		ns ns ns

1. Pulse test: pulse duration $\leq 300\ \mu\text{s}$, duty cycle $\leq 2\%$

Electrical characteristics

2STD1665

2.1 Electrical characteristics (curves)

Figure 2. Output characteristics

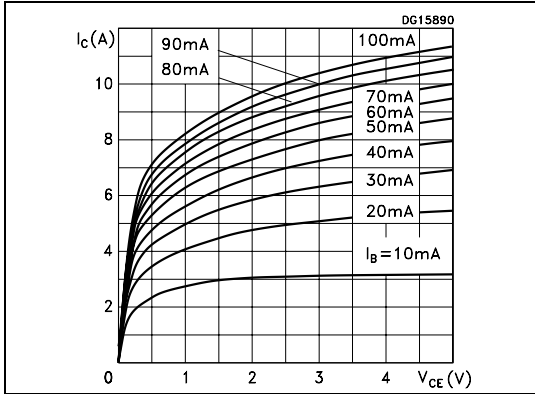


Figure 3. DC current gain

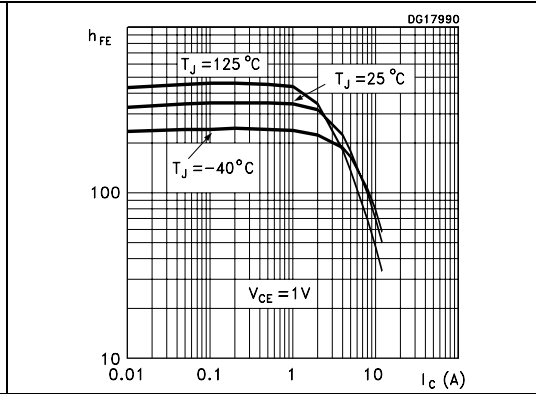


Figure 4. Collector-emitter saturation voltage - ($h_{FE} = 20$)

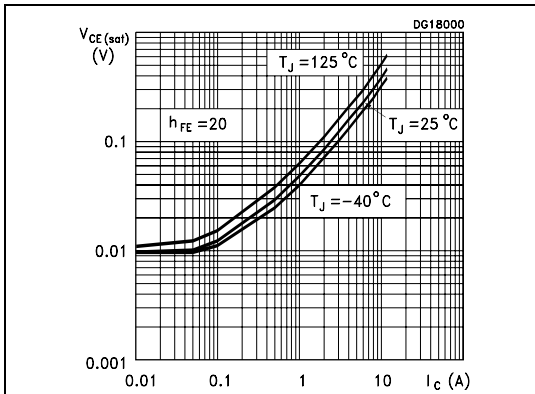


Figure 5. Collector-emitter saturation voltage - ($h_{FE} = 40$)

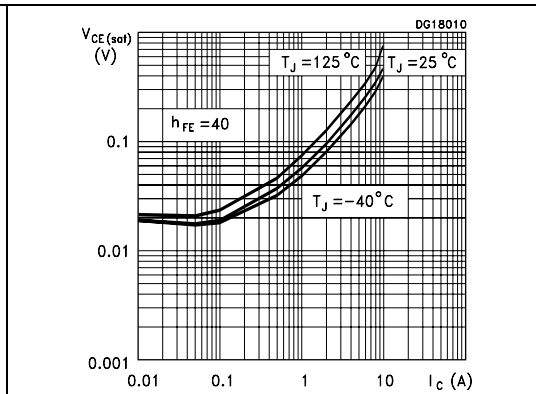


Figure 6. Base-emitter saturation voltage

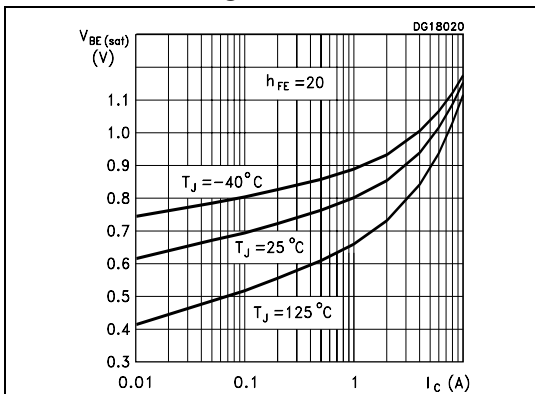


Figure 7. Base-emitter on voltage

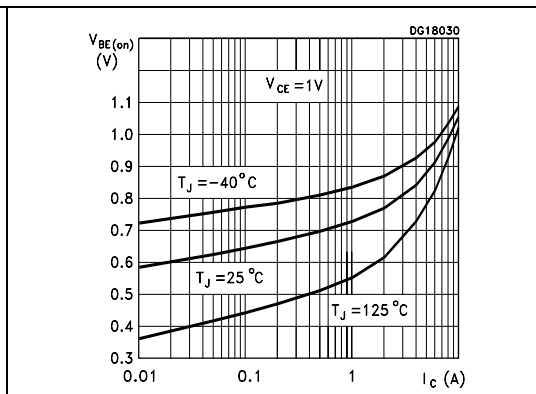


Figure 8. Resistive load switching off

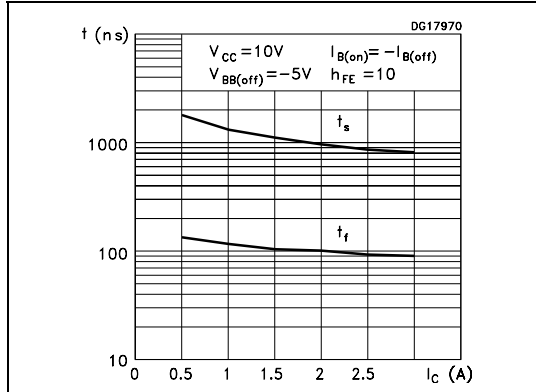


Figure 9. Resistive load switching on

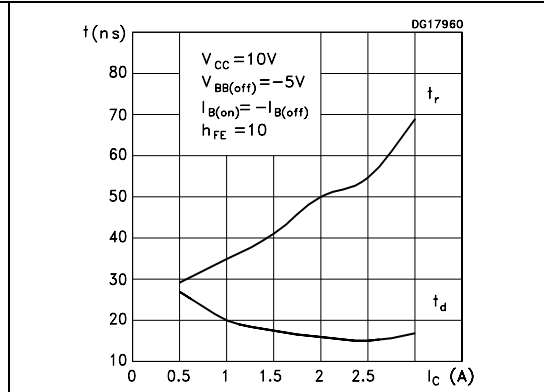
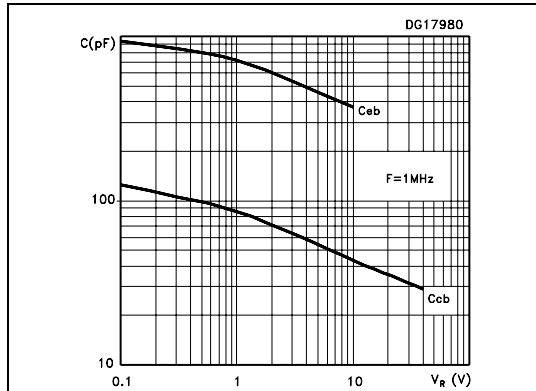
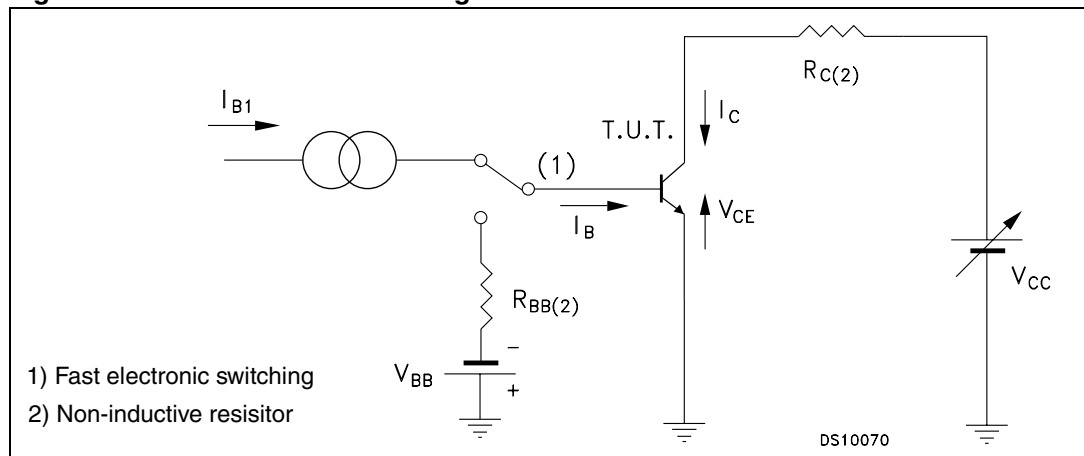


Figure 10. Capacitance



2.2 Test circuit

Figure 11. Resistive load switching time



3 Package mechanical data

In order to meet environmental requirements, ST offers these devices in different grades of ECOPACK[®] packages, depending on their level of environmental compliance. ECOPACK[®] specifications, grade definitions and product status are available at: www.st.com. ECOPACK is an ST trademark.

2STD1665

Package mechanical data

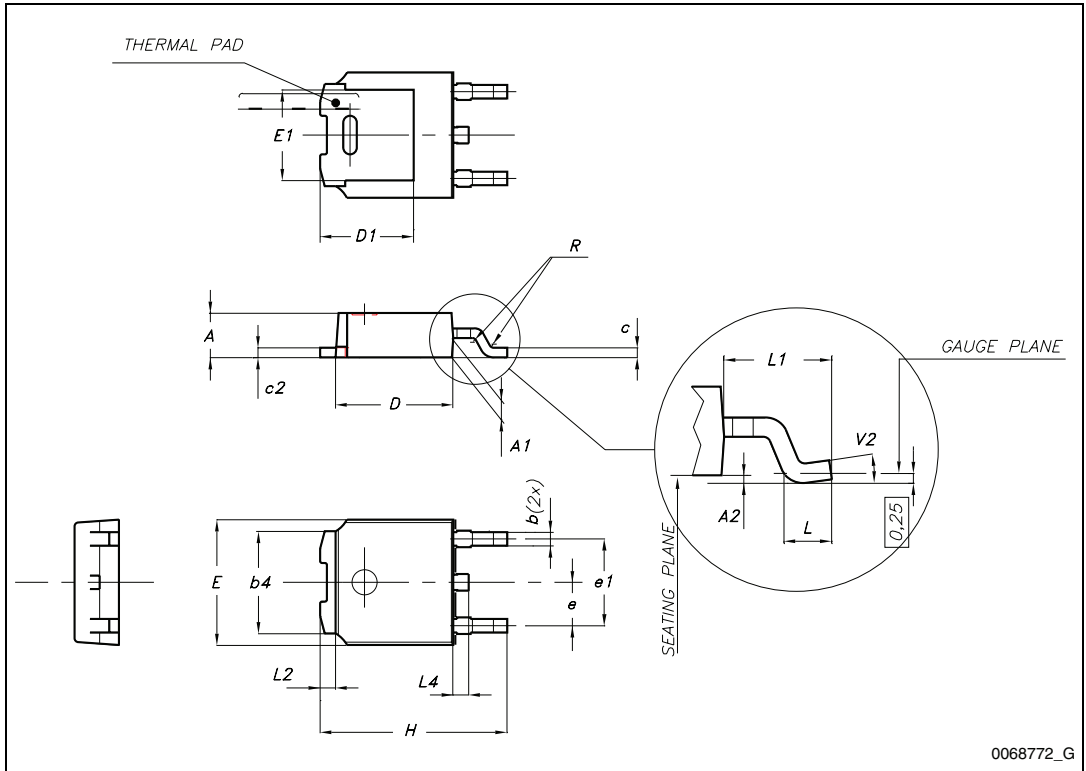
Table 5. DPAK (TO-252) mechanical data

Dim.	mm		
	Min.	Typ.	Max.
A	2.20		2.40
A1	0.90		1.10
A2	0.03		0.23
b	0.64		0.90
b4	5.20		5.40
c	0.45		0.60
c2	0.48		0.60
D	6.00		6.20
D1		5.10	
E	6.40		6.60
E1		4.70	
e		2.28	
e1	4.40		4.60
H	9.35		10.10
L	1		
L1		2.80	
L2		0.80	
L4	0.60		1
R		0.20	
V2	0°		8°

Package mechanical data

2STD1665

Figure 12. TO-252 (DPAK) drawings



4 Revision history

Table 6. Document revision history

Date	Revision	Changes
08-May-2006	1	Initial release
27-Mar-2008	2	New graphics
08-Feb-2011	3	Updated Table 2 and 3

Please Read Carefully:

Information in this document is provided solely in connection with ST products. STMicroelectronics NV and its subsidiaries ("ST") reserve the right to make changes, corrections, modifications or improvements, to this document, and the products and services described herein at any time, without notice.

All ST products are sold pursuant to ST's terms and conditions of sale.

Purchasers are solely responsible for the choice, selection and use of the ST products and services described herein, and ST assumes no liability whatsoever relating to the choice, selection or use of the ST products and services described herein.

No license, express or implied, by estoppel or otherwise, to any intellectual property rights is granted under this document. If any part of this document refers to any third party products or services it shall not be deemed a license grant by ST for the use of such third party products or services, or any intellectual property contained therein or considered as a warranty covering the use in any manner whatsoever of such third party products or services or any intellectual property contained therein.

UNLESS OTHERWISE SET FORTH IN ST'S TERMS AND CONDITIONS OF SALE ST DISCLAIMS ANY EXPRESS OR IMPLIED WARRANTY WITH RESPECT TO THE USE AND/OR SALE OF ST PRODUCTS INCLUDING WITHOUT LIMITATION IMPLIED WARRANTIES OF MERCHANTABILITY, FITNESS FOR A PARTICULAR PURPOSE (AND THEIR EQUIVALENTS UNDER THE LAWS OF ANY JURISDICTION), OR INFRINGEMENT OF ANY PATENT, COPYRIGHT OR OTHER INTELLECTUAL PROPERTY RIGHT.

UNLESS EXPRESSLY APPROVED IN WRITING BY AN AUTHORIZED ST REPRESENTATIVE, ST PRODUCTS ARE NOT RECOMMENDED, AUTHORIZED OR WARRANTED FOR USE IN MILITARY, AIR CRAFT, SPACE, LIFE SAVING, OR LIFE SUSTAINING APPLICATIONS, NOR IN PRODUCTS OR SYSTEMS WHERE FAILURE OR MALFUNCTION MAY RESULT IN PERSONAL INJURY, DEATH, OR SEVERE PROPERTY OR ENVIRONMENTAL DAMAGE. ST PRODUCTS WHICH ARE NOT SPECIFIED AS "AUTOMOTIVE GRADE" MAY ONLY BE USED IN AUTOMOTIVE APPLICATIONS AT USER'S OWN RISK.

Resale of ST products with provisions different from the statements and/or technical features set forth in this document shall immediately void any warranty granted by ST for the ST product or service described herein and shall not create or extend in any manner whatsoever, any liability of ST.

ST and the ST logo are trademarks or registered trademarks of ST in various countries.

Information in this document supersedes and replaces all information previously supplied.

The ST logo is a registered trademark of STMicroelectronics. All other names are the property of their respective owners.

© 2011 STMicroelectronics - All rights reserved

STMicroelectronics group of companies

Australia - Belgium - Brazil - Canada - China - Czech Republic - Finland - France - Germany - Hong Kong - India - Israel - Italy - Japan - Malaysia - Malta - Morocco - Philippines - Singapore - Spain - Sweden - Switzerland - United Kingdom - United States of America

www.st.com