



Distributor of TE Connectivity AMP Connectors: Excellent Integrated System Limited
Datasheet of 5747468-2 - D-Sub Connector Plug, Male Pins 15 Position Through Hole, Right
Angle Solder

Contact us: sales@integrated-circuit.com Website: www.integrated-circuit.com

Excellent Integrated System Limited

Stocking Distributor

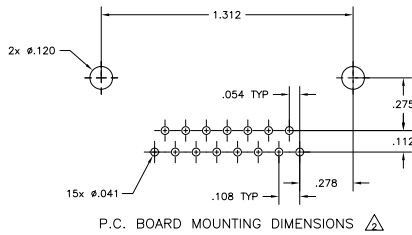
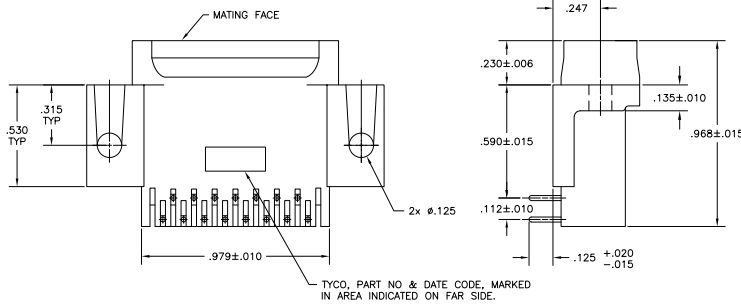
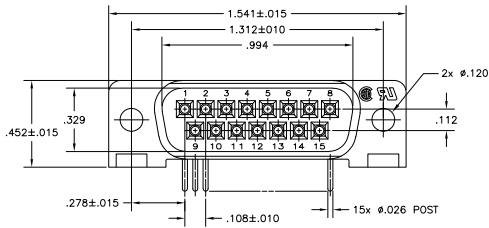
Click to view price, real time Inventory, Delivery & Lifecycle Information:

[TE Connectivity AMP Connectors](#)
[5747468-2](#)

For any questions, you can email us directly:

sales@integrated-circuit.com

Contact us: sales@integrated-circuit.com Website: www.integrated-circuit.com



- △ HOUSING: FLAME RETARDANT, 94V-0 RATED, GLASS FILLED, NYLON OR POLYESTER, COLOR: BLACK
CONTACTS: BRASS
- △ REFER TO APPLICATION SPEC FOR RECOMMENDED P.C. BOARD MOUNTING DIMENSIONS FOR AUTOMATIC INSERTION.
- △ CONTACTS: GOLD PLATED FOR A LENGTH OF .150 MIN FROM MATING END, .00030 MIN GOLD IN MATED AREA, .000100 MIN TIN ON SOLDER END, ALL OVER .00050 MIN NICKEL ON ENTIRE CONTACT.
-OR-
GOLD FLASH OVER PALLADIUM NICKEL PLATED FOR A LENGTH OF .150 MIN FROM MATING END, .00030 MIN PALLADIUM NICKEL IN MATED AREA, .000100 MIN TIN ON SOLDER END, ALL OVER .00050 MIN NICKEL.

**COPYRIGHT 2005
 TYCO ELECTRONICS CORP
 ALL RIGHTS RESERVED**

THIS DRAWING IS A CONTROLLED DOCUMENT		REVISED	10/09/05	Customer	TE Connectivity Corporation Harrisburg, PA 17105-3608
DESIGNER	DATE	BY	DATE	REVISED	REVISED
108-40025	10/09/05	108-40025	10/09/05	1	FLUG ASSY, SIZE 2, 15 POSN, RIGHT ANGLE, 590 SERIES, 026 DIN PINS, AMPLITE HD-20
114-40015	10/09/05	114-40015	10/09/05	1	FLUG ASSY, SIZE 2, 15 POSN, RIGHT ANGLE, 590 SERIES, 026 DIN PINS, AMPLITE HD-20
100779	10/09/05	100779	10/09/05	1	FLUG ASSY, SIZE 2, 15 POSN, RIGHT ANGLE, 590 SERIES, 026 DIN PINS, AMPLITE HD-20
CUSTOMER DRAWING		SCALE	4:1	SHEET	1 OF 1

5747468-2
 PART NUMBER