

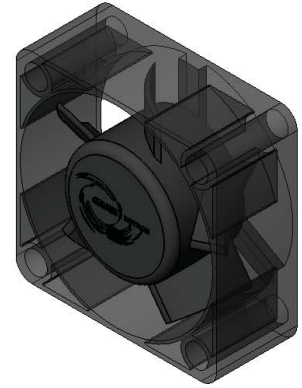
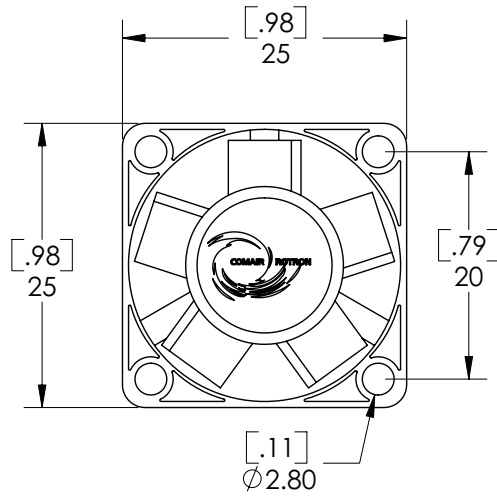
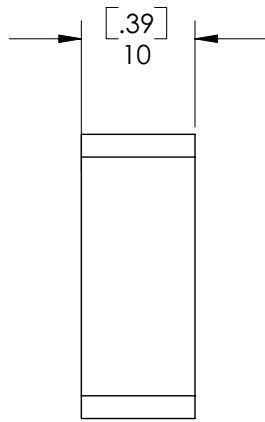
## Excellent Integrated System Limited

Stocking Distributor

Click to view price, real time Inventory, Delivery & Lifecycle Information:

[Comair Rotron](#)  
[GDA2510-12BB](#)

For any questions, you can email us directly:  
[sales@integrated-circuit.com](mailto:sales@integrated-circuit.com)



	ALL MATERIAL MUST BE RoHS COMPLIANT	
	CONTACT INFO: <a href="http://WWW.COMAIRROTRON.COM">WWW.COMAIRROTRON.COM</a>	
<p>TOLERANCE UNLESS OTHERWISE SPECIFIED</p> <p>2 PL DEC ± .03 [ .8]</p> <p>3 PL DEC ± .010 [ .25]</p> <p>ANGULAR ± 30°</p> <p>SURFACE </p>	SALES@COMAIRROTRON.COM	(619) 661 - 6688
	3D MODEL FOUND AT..	PART WEBPAGE
	<b>GRYPHON 25 X10</b>	