

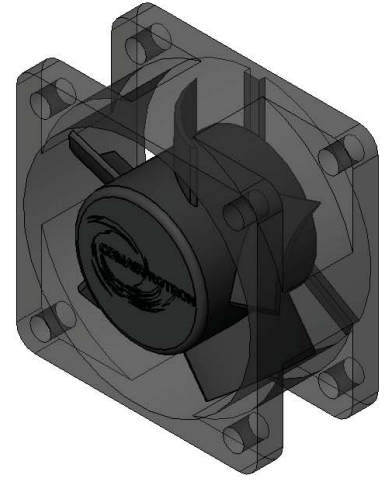
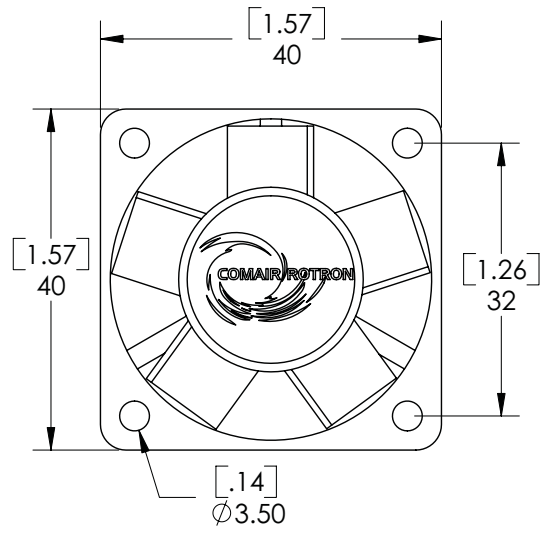
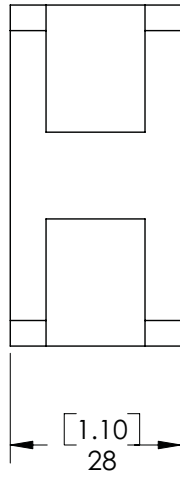
Excellent Integrated System Limited

Stocking Distributor

Click to view price, real time Inventory, Delivery & Lifecycle Information:

[Comair Rotron](#)
[GDA4028-12BB](#)

For any questions, you can email us directly:
sales@integrated-circuit.com



	ALL MATERIAL MUST BE RoHS COMPLIANT	
	CONTACT INFO: WWW.COMAIRROTRON.COM	
	SALES@COMAIRROTRON.COM	(619) 661 - 6688
	3D MODEL FOUND AT..	PART WEBPAGE
<p>TOLERANCE UNLESS OTHERWISE SPECIFIED</p> <p>2 PL DEC. ± .03 [.8]</p> <p>3 PL DEC. ± .010 [.25]</p> <p>ANGULAR ± 30'</p> <p>SURFACE </p> <p>AMERICAN PROJECTION </p> <p>(IN) / (MM)</p>	GRYPHON 40 X28	