

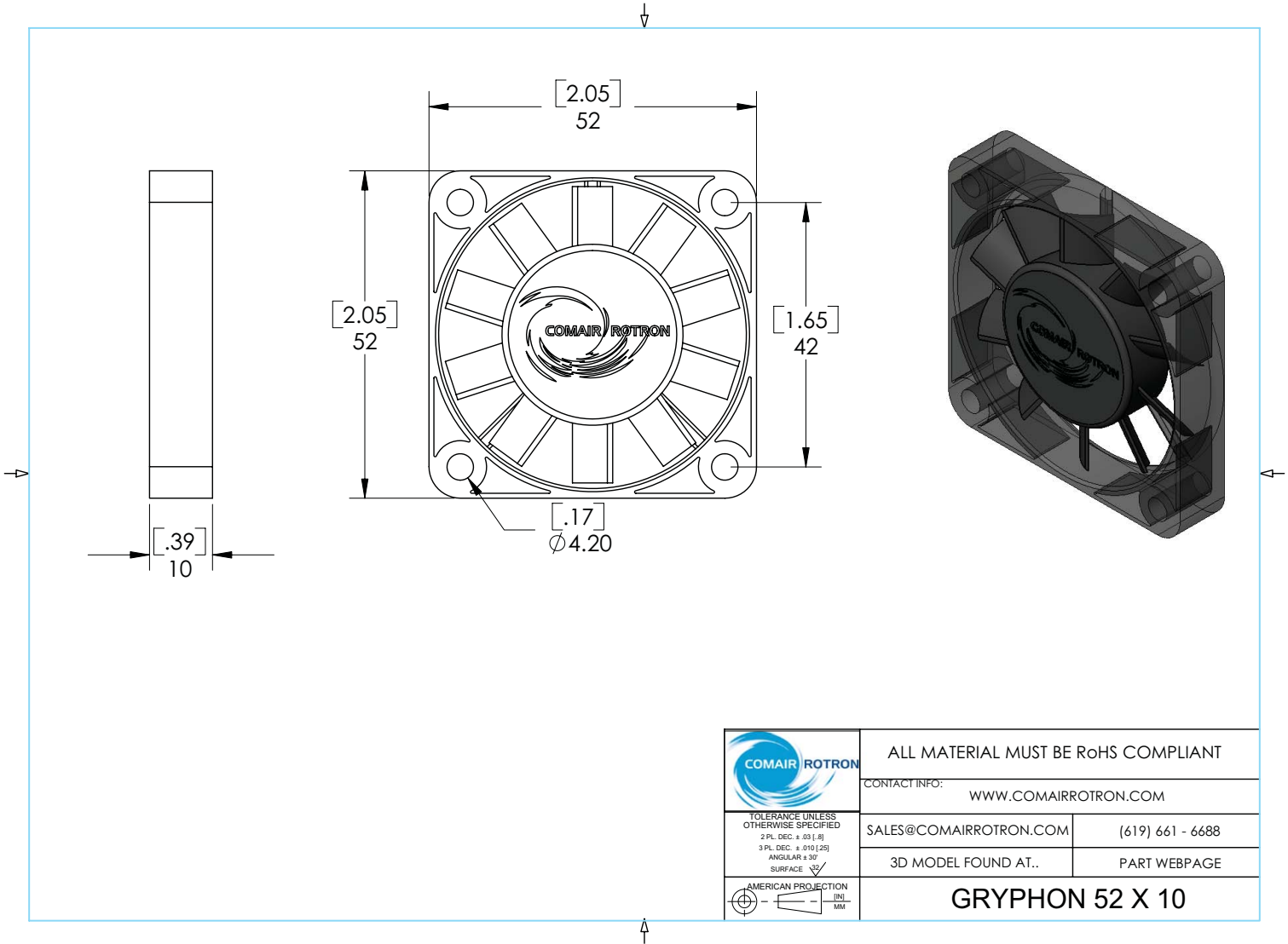
Excellent Integrated System Limited

Stocking Distributor

Click to view price, real time Inventory, Delivery & Lifecycle Information:

[Comair Rotron](#)
[GDA5210-12BB](#)

For any questions, you can email us directly:
sales@integrated-circuit.com



	ALL MATERIAL MUST BE RoHS COMPLIANT	
	CONTACT INFO: WWW.COMAIRROTRON.COM	
	SALES@COMAIRROTRON.COM	(619) 661 - 6688
	3D MODEL FOUND AT..	PART WEBPAGE
<p>TOLERANCE UNLESS OTHERWISE SPECIFIED 2 PL DEC. ± .03 [.8] 3 PL DEC. ± .010 [.25] ANGULAR ± 30' SURFACE </p> <p>AMERICAN PROJECTION </p> <p>(IN) / (MM)</p>	GRYPHON 52 X 10	