

## **Excellent Integrated System Limited**

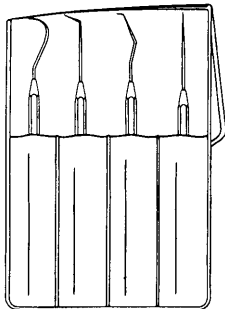
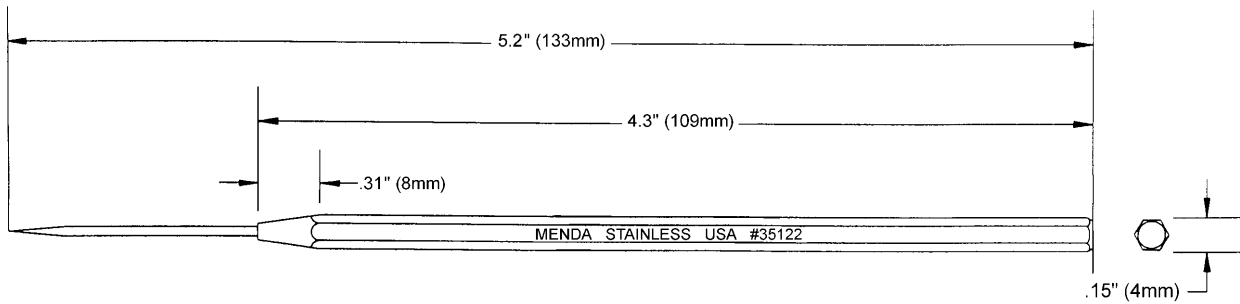
Stocking Distributor

Click to view price, real time Inventory, Delivery & Lifecycle Information:

[Desco](#)  
[35122](#)

For any questions, you can email us directly:

[sales@integrated-circuit.com](mailto:sales@integrated-circuit.com)



Material: 300 Series stainless steel  
 Handle: 5/32" (4mm) hex shape to prevent rolling  
 Points: Semi hardened - may be reshaped for special applications as required

**Item 35630** - Kit of all four probes in light blue vinyl pouch with individual pockets.



Prober, Stainless Steel, Straight

**MENDA**

3651 WALNUT AVE., CHINO, CA 91710  
 PHONE: (909) 627-2453 • FAX: (909) 755-8848  
 WEBSITE: www.mendapump.com

DRAWING NUMBER  
 35122

DATE:  
 4/02