



Excellent Integrated System Limited

Stocking Distributor

Click to view price, real time Inventory, Delivery & Lifecycle Information:

[TE Connectivity AMP Connectors](#)
[1527451-2](#)

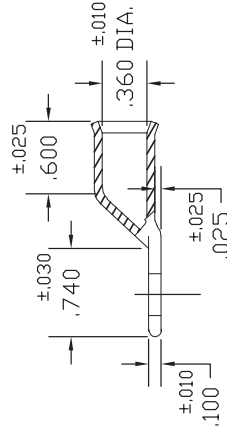
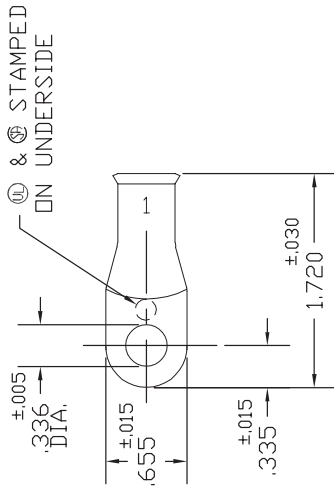
For any questions, you can email us directly:

sales@integrated-circuit.com

1
2
3
4

LOC	DIST	REVISIONS	
G	50	P	LTR
		A2	
		DATE	17OCT06
		DESCRIPTION	REVISED PER ECR-06-024472
		APVD	JR
		DDM	DD

⚠️ PRELIMINARY - NOT FOR PRODUCTION



PRELIMINARY	---	STANDARD	NICKEL PL.	1527451-4
ACTIVE	1561-01	STANDARD	TIN PLATE	1527451-2
ACTIVE	1561-00	STANDARD	PLAIN	1527451-1
STATUS	AET P/N	PACKAGING	FINISH	PART NUMBER

THIS DRAWING IS A CONTROLLED DOCUMENT.		DWN	9/28/00	Tyco Electronics Corporation Harrisburg, PA 17105-3608					
DIMENSIONS: INCHES		CHK	9/28/00						
TOLERANCES UNLESS OTHERWISE SPECIFIED:		H.D.F	9/28/00						
0 PLC	±	APVD	9/28/00	1 STANDARD TERMINAL					
1 PLC	±	PRODUCT SPEC							
2 PLC	±	APPLICATION SPEC							
3 PLC	±	DRAWING NO							
4 PLC	±	SIZE	A3	CAGE CODE	A300779	DRAWING NO	C=1527451	RESTRICTED TO	---
FINISH	±	WEIGHT	---	SCALE	1:1	SHEET	1 of 1	REV	A2
MATERIAL	COPPER ASTM B-152	CUSTOMER DRAWING							

THIS DRAWING IS UNPUBLISHED.
 © COPYRIGHT - BY TYCO ELECTRONICS CORPORATION. ALL RIGHTS RESERVED.