



Distributor of TE Connectivity AMP Connectors: Excellent Integrated System Limited
Datasheet of 796921-4 - Connector Eurostyle Terminal Strip Strip 4 Circuit 0.315" (8.00mm)

Contact us: sales@integrated-circuit.com Website: www.integrated-circuit.com

Excellent Integrated System Limited

Stocking Distributor

Click to view price, real time Inventory, Delivery & Lifecycle Information:

[TE Connectivity AMP Connectors](#)
[796921-4](#)

For any questions, you can email us directly:

sales@integrated-circuit.com

4

3

2

1

THIS DRAWING IS UNPUBLISHED. RELEASED FOR PUBLICATION
 © COPYRIGHT BY TYCO ELECTRONICS CORPORATION. ALL RIGHTS RESERVED.

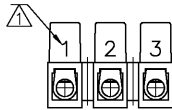
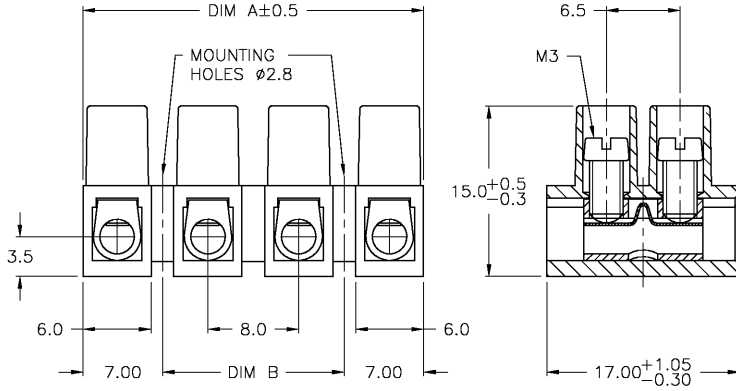
LDC		DIST		REVISIONS			
P	LTR	DESCRIPTION	DATE	DWN	APVD		
F		REVISED PER 0G3B-1164-04	12/16/04	SS	CR		

NOTES:

MATERIAL:
 HOUSING: POLYIMIDE 6/6 UL94V-0
 COLOR: BROWN
 TUBULAR CONTACT: BRASS, TIN PLATED
 M3 SCREW: STEEL, ZINC PLATED
 WIRE PROTECTOR: STAINLESS STEEL

ELECTRICAL:
 CURRENT RATING: 30A, 250V
 WIRE RANGE: 12-26 AWG

⚠ MARKED WITH PERMANENT INK.



1-796921-2

8.0	22.0			1-796621-2
80.0	94.0	TSB23012DSHT		1437388-4
72.0	86.0	TSB23011DSHT		1-796921-1
64.0	78.0	TSB23010DSHT		1-796921-0
56.0	70.0	TSB23009DSHT		796921-9
48.0	62.0	TSB23008DSHT		796921-8
40.0	54.0	TSB23007DSHT		796921-7
32.0	46.0	TSB23006DSHT		796921-6
24.0	38.0	TSB23005DSHT		796921-5
16.0	30.0	TSB23004DSHT		796921-4
8.0	22.0	TSB23003DSHT		796921-3
-	14.0	TSB23002DSHT		796921-2
-	6.0	TSB23001DSHT		796921-1

THIS DRAWING IS A CONTROLLED DOCUMENT.		DWN	22MAY02	Tyco Electronics Corporation	
DIMENSIONS:		S. SCHLEGEL	5/23/02	Harrisburg, Pa 17105-3608	
TOLERANCES UNLESS OTHERWISE SPECIFIED:		CHK	D. BIEVENOUR	NAME	
mm	0 PLC ± -	APVD	D. BIEVENOUR	EUROPA TERMINAL BLOCK W/WIRE PROTECTOR	
	1 PLC ± .3	PRODUCT SPEC		MOUNTING HOLES 2.8 DIA., 8.0mm PITCH	
	2 PLC ± .25	APPLICATION SPEC		HIGH TEMP	
	3 PLC ± -	WEIGHT		SIZE	CAGE CODE
	4 PLC ± -	CUSTOMER DRAWING		A3	00779
	ANGLES ± 2	SCALE		C=	796921
MATERIAL	FINISH	SHEET	1	OF	1
		REV			F