

## Excellent Integrated System Limited

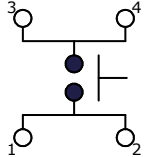
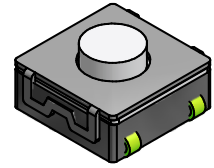
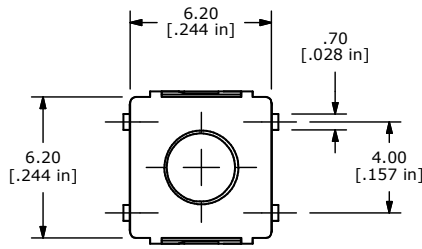
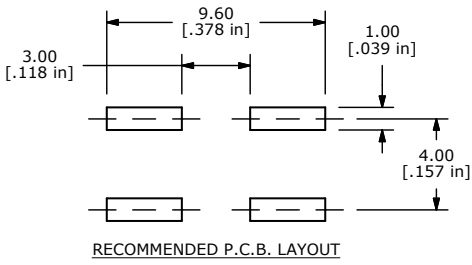
Stocking Distributor

Click to view price, real time Inventory, Delivery & Lifecycle Information:

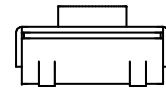
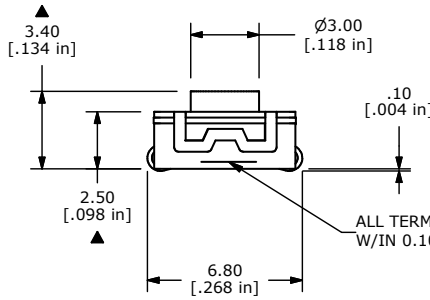
[E-Switch](#)  
[TL3304AF260QJ](#)

For any questions, you can email us directly:  
[sales@integrated-circuit.com](mailto:sales@integrated-circuit.com)

SHEET 1 OF 1



CIRCUIT: SPST



NOTES:

1. ALL DIMENSIONS IN MM [INCH]
2. GENERAL TOLERANCE:  $x.x = \pm 0.4$   
 $x.xx = \pm 0.25$
3. TERM. NOS. FOR REF. ONLY
4. RATING: 50mA, @12V DC
- ▲ 5. OPERATING FORCE:  $260 \pm 50gf$
6. TRAVEL:  $0.25 + 0.2/-0.1MM$
7. CONTACT RESISTANCE:  $100 m\Omega MAX$  E
8. PACKAGING: TAPE AND REEL, 1600 PCS PER REEL
- ▲ 9. CONTACT MATERIAL: SILVER
- ▲ 10. ▲ DENOTES CRITICAL PARAMETER
11. 2002/95/EC (ROHS) COMPLIANT
12. MECHANICAL/ELECTRICAL LIFE: 100,000 CYCLES
13. OPERATING TEMPERATURE:  $-20^{\circ}C$  TO  $70^{\circ}C$  E



E	21024	100mΩ WAS 100Ω, ADD TEMP NOTE	2/12/13	EBP
D	16712	REVISED AND REDRAWN INVENTOR	11/29/06	TN
REV	PCR NO	DESCRIPTION	DATE	BY

TITLE TL3304AF260QJ				
SCALE	DATE	DR	DWG	REV
4:1	11/29/2006	TN	P010544	E

THE INFORMATION CONTAINED IN THIS DOCUMENT IS PROPRIETARY TO E-SWITCH AND IS NOT TO BE COPIED OR TRANSFERRED