



Excellent Integrated System Limited

Stocking Distributor

Click to view price, real time Inventory, Delivery & Lifecycle Information:

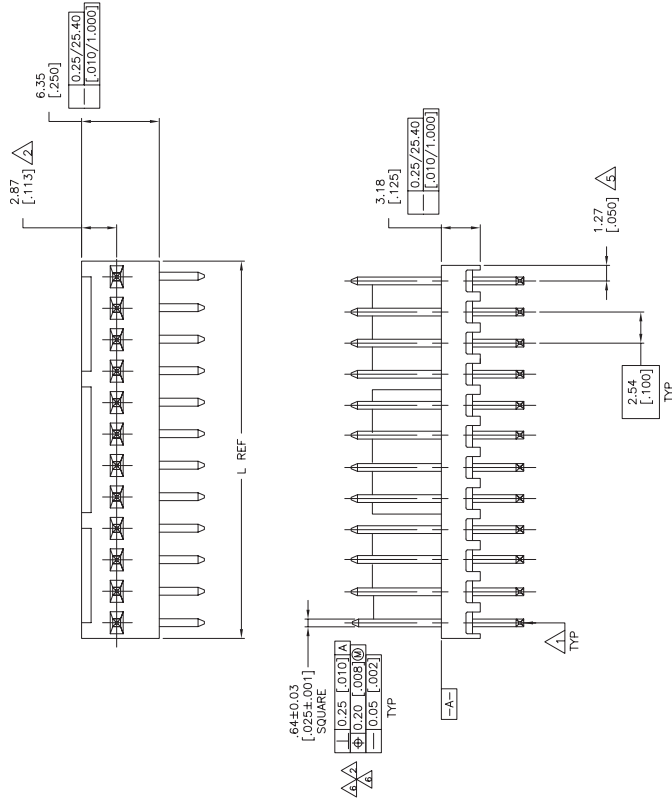
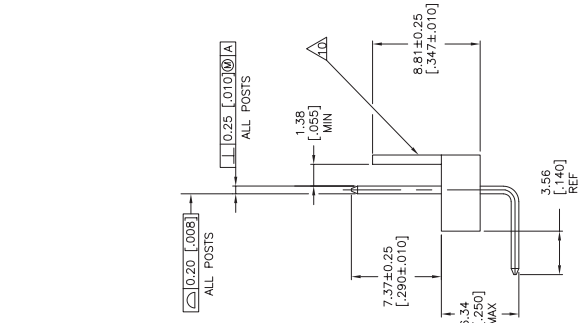
[TE Connectivity AMP Connectors](#)
[1-647048-6](#)

For any questions, you can email us directly:

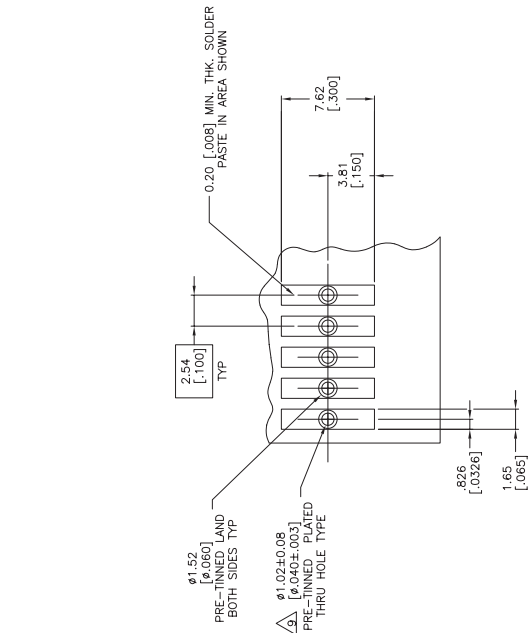
sales@integrated-circuit.com

REV	DATE	BY	CHK
CM 00	22JAN08	KW	DB
DESCRIPTION		ECO-07-030039	

- △ POST TO WITHSTAND 13 NEWTONS (3 LBS) MIN. AXIAL FORCE IN DIRECTION SHOWN WITHOUT DISLODGING.
- △ MEASURED AT SURFACE [A].
- 3. PARTS COMPLY WITH AMP SOLDERABILITY SPEC. NO. 109-11-2.
- △ HOUSING: NYLON 4/6, HIGH TEMP. BLACK POST -2 THRU -18; COPPER ALLOY, TIN-LEAD (93/7) PLATING POST -32 THRU -48; COPPER ALLOY TIN PLATE
- △ COORDINATE DIMENSION APPLIES FROM CENTER OF ACTUAL FEATURE.
- △ POSTS TO BE MEASURED WHEN STRIP IS HELD FLAT.
- 7. DIMENSIONS IN BRACKETS ARE IN INCHES.
- △ TOLERANCES APPLY TO SOLDER SIDE OF BOARD.
- △ ONE HOLE MAY BE UNDERSIZED .81 - .89 [.032 - .035] DIAMETER FOR ASSEMBLY RETENTION DURING PROCESSING.
- △ AMP LOGO AND UL AND CSA TRADEMARKS TO APPEAR ON THIS SURFACE.



W	MM	IN	G	L	MM	IN	NO. OF POSITIONS	PART NUMBER
10.16	.400	12.70	.500	30.48	1.200	12	4-647048-2	
-	-	10.16	.400	27.94	1.100	11	4-647048-1	
-	-	7.62	.300	25.40	1.000	10	4-647048-0	
-	-	5.08	.200	22.86	.900	9	3-647048-9	
-	-	2.54	.100	20.32	.800	8	3-647048-8	
-	-	-	-	17.78	.700	7	3-647048-7	
-	-	-	-	15.24	.600	6	3-647048-6	
-	-	-	-	12.70	.500	5	3-647048-5	
-	-	-	-	10.16	.400	4	3-647048-4	
-	-	-	-	7.62	.300	3	3-647048-3	
-	-	-	-	5.08	.200	2	3-647048-2	
10.16	.400	12.70	.500	30.48	1.200	12	1-647048-2	
-	-	10.16	.400	27.94	1.100	11	1-647048-1	
-	-	7.62	.300	25.40	1.000	10	1-647048-0	
-	-	5.08	.200	22.86	.900	9	647048-9	
-	-	2.54	.100	20.32	.800	8	647048-8	
-	-	-	-	17.78	.700	7	647048-7	
-	-	-	-	15.24	.600	6	647048-6	
-	-	-	-	12.70	.500	5	647048-5	
-	-	-	-	10.16	.400	4	647048-4	
-	-	-	-	7.62	.300	3	647048-3	
-	-	-	-	5.08	.200	2	647048-2	



△ RECOMMENDED MOUNTING HOLE PATTERN FOR 1.57±0.20 [.062±0.008] THICK P.C. BOARD

W	MM	IN	G	L	MM	IN	NO. OF POSITIONS	PART NUMBER
10.16	.400	12.70	.500	30.48	1.200	12	1-647048-2	
-	-	10.16	.400	27.94	1.100	11	1-647048-1	
-	-	7.62	.300	25.40	1.000	10	1-647048-0	
-	-	5.08	.200	22.86	.900	9	647048-9	
-	-	2.54	.100	20.32	.800	8	647048-8	
-	-	-	-	17.78	.700	7	647048-7	
-	-	-	-	15.24	.600	6	647048-6	
-	-	-	-	12.70	.500	5	647048-5	
-	-	-	-	10.16	.400	4	647048-4	
-	-	-	-	7.62	.300	3	647048-3	
-	-	-	-	5.08	.200	2	647048-2	

