



Distributor of TE Connectivity AMP Connectors: Excellent Integrated System Limited
Datasheet of 1571656-2 - D-Sub Connector Receptacle, Female Sockets 25 Position Free
Hanging (In-Line) Solder Cup

Contact us: sales@integrated-circuit.com Website: www.integrated-circuit.com

Excellent Integrated System Limited

Stocking Distributor

Click to view price, real time Inventory, Delivery & Lifecycle Information:

[TE Connectivity AMP Connectors](#)
[1571656-2](#)

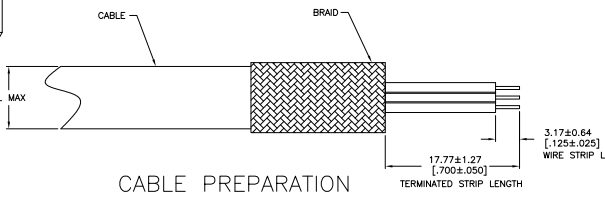
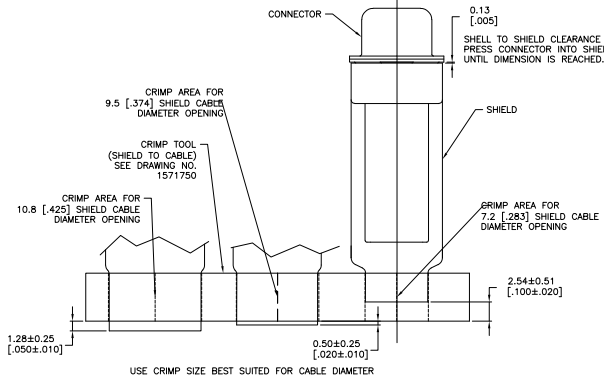
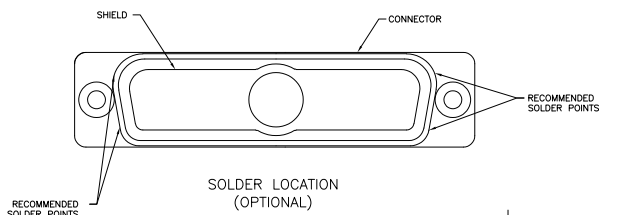
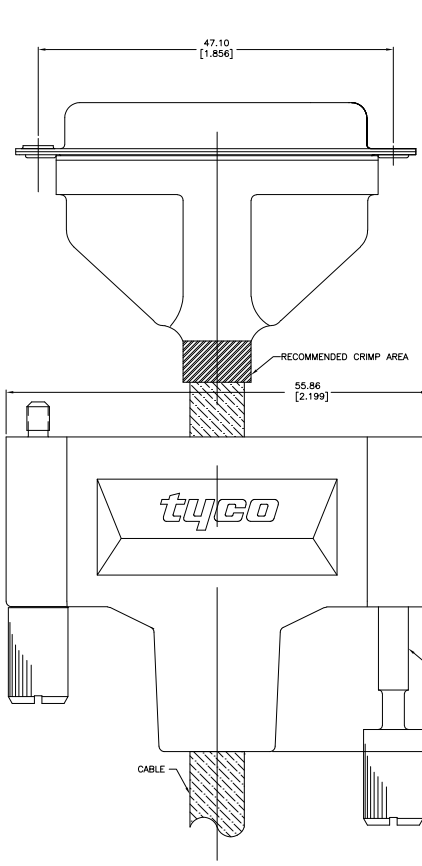
For any questions, you can email us directly:

sales@integrated-circuit.com

Contact us: sales@integrated-circuit.com Website: www.integrated-circuit.com

NON-ROHS COMPLIANT VERSION

REV	DATE	REVISIONS	BY	CHK
AD	00			
02	ECO-07-03005			



- NOTES:
- △ MATERIAL: INSERT: PBT, BLACK, UL94V-0 RATED CONTACT & JACKSCREWS: BRASS SHELLS & SHIELD: STEEL ENCLOSURE: PVC, BLACK
 - △ FINISH: CONTACT: GOLD PLATING 0.02µm[.0000008] MIN ON CONTACT AREA 2.3µm[.000090] MIN TIN-LEAD PLATING ON SOLDER AREA ALL OVER 1.27µm[.000050] MIN NICKEL SHELL: 2.4µm[.000095] MIN TIN SHIELD: 2.0-3.0µm[.000080-.000120] TIN
 - 3. SPECIFICATION ELECTRICAL CHARACTERISTICS: CURRENT RATING: 3 AMPERES DIELECTRIC WITHSTANDING VOLTAGE: AC 1000V r.m.s INSULATION RESISTANCE: 5000 MEGOHMS MINIMUM AT DC 500V CONTACT RESISTANCE: 10 MILLIOHMS MAXIMUM.
 - 4. RECEPTACLE CONNECTOR FULLY LOADED WITH CONTACTS. ALL OTHER PARTS ARE SHIPPED UNASSEMBLED, EACH PART INDIVIDUALLY BULK PACKED.
 - 5. SOLDER CUP WILL ACCOMMODATE 20 MAX AWG WIRE.
 - △ FINISH: CONTACT: GOLD PLATING 0.02µm[.0000008] MIN ON CONTACT AREA 2.3µm[.000090] MIN TIN PLATING ON SOLDER AREA ALL OVER 1.27µm[.000050] MIN NICKEL SHELL: 2.4µm[.000095] MIN TIN SHIELD: 2.0-3.0µm[.000080-.000120] TIN
 - △ ROHS 2002/95/EC COMPLIANT PART. (SEE SHEET 2).

- ASSEMBLY INSTRUCTIONS**
- A. USE SHIELD ENCLOSURE EXPANSION TOOL, 58241-1 TO GET ENCLOSURE ON CABLE.
 - B. PREPARE CABLE AS SHOWN.
 - C. PLACE CABLE THROUGH SHIELD.
 - D. SOLDER CONDUCTORS TO CONTACTS.
 - E. PRESS SHIELD ONTO CONNECTOR AS SHOWN.
 - F. SOLDER SHIELD TO CONNECTOR AS SHOWN (OPTIONAL).
 - G. METALLIC SHIELD SURFACES AND INTERIOR ENCLOSURE SURFACE MUST BE CLEAN AND DRY PER 3M REQUIREMENTS.
 - H. CUT TWO PIECES OF 3M SCOTCH VHB 4926, DOUBLE COATED ADHESIVE TAPE 6 TO 8mm WIDE BY 31 TO 35mm LONG.
 - I. APPLY TAPE TO METALLIC SHIELD SURFACE, LENGTHWISE, ADJACENT TO CONNECTOR FLANGE.
 - J. REMOVE ADHESIVE BACKING FROM TAPE AND PUSH ENCLOSURE OVER METALLIC SHIELD.
 - K. BOND STRENGTH IS DEPENDANT ON THE AMOUNT OF SURFACE CONTACT DEVELOPED. A FIRM APPLICATION DEVELOPS A BETTER BOND. ULTIMATE SURFACE CONTACT CAN BE ACCOMPLISHED BY CLAMPING ENCLOSURE TO THE SHIELD. CARE SHOULD BE TAKEN NOT TO MAR THE POLYMER SURFACE. SHIMS MAY BE REQUIRED TO EVENLY DISTRIBUTE THE CLAMPING FORCE ACROSS THE POLYMER.
 - L. ULTIMATE BOND STRENGTH IS DEVELOPED AFTER 72 HOURS, BUT MAY BE ACCELERATED BY EXPOSURE TO 66°C FOR 1 HOUR, IF THE CLAMPS ARE COMPATIBLE WITH THIS TEMPERATURE.
 - M. INSERT JACK SCREWS.

FINISH	CABLE DIA	PART NUMBER
△ △	10.8 [.425]	1571656-6
△ △	9.5 [.374]	1571656-5
△ △	7.2 [.283]	1571656-4
△ △	10.8 [.425]	1571656-3
△ △	9.5 [.374]	1571656-2
△ △	7.2 [.283]	1571656-1

THIS DRAWING IS A CONTROLLED DOCUMENT		DESIGNER	THROU	DATE	REV	DESCRIPTION
DATE	BY	DATE	BY	DATE	BY	DESCRIPTION
108-40031						BULK KIT, RECEPTACLE, AMPULMITE SOLDER CUP SHIELDING ENCLOSURE 25 POSITION, SIZE 3
100779						1571656
CUSTOMER DRAWING		REV	4-1	1	2	02

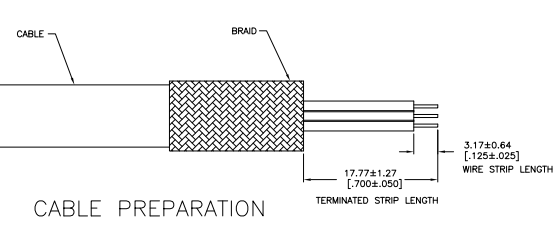
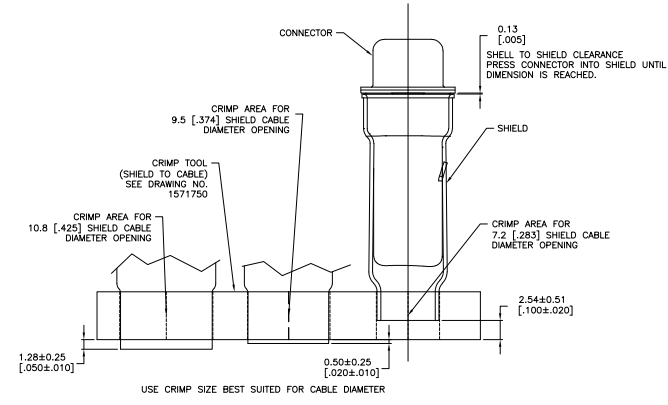
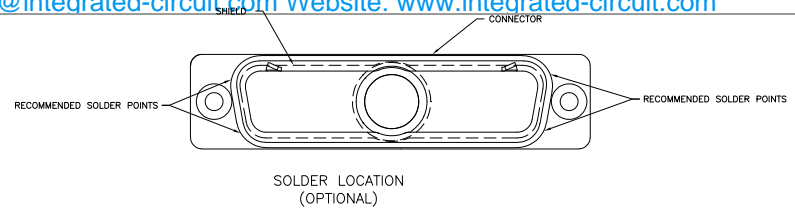
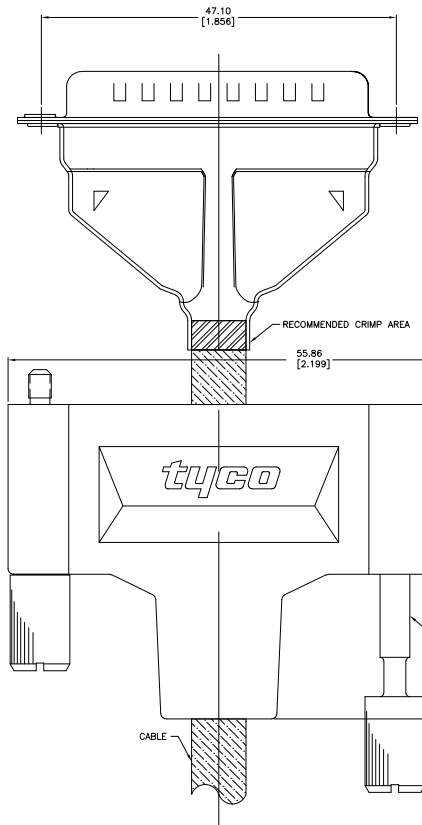
EXPLODED VIEW OF ASSEMBLED KIT

CABLE PREPARATION

ROHS 2002/EC/EC COMPLIANT VERSION

Contact us: sales@integrated-circuit.com Website: www.integrated-circuit.com

REV	DATE	DESCRIPTION	BY	CHK	APP
AD	00	SEE SHEET 1			



- ASSEMBLY INSTRUCTIONS**
- USE SHIELD ENCLOSURE EXPANSION TOOL, 58241-1 TO GET ENCLOSURE ON CABLE.
 - PREPARE CABLE AS SHOWN.
 - PLACE CABLE THROUGH SHIELD.
 - SOLDER CONDUCTORS TO CONTACTS.
 - PRESS SHIELD ONTO CONNECTOR AS SHOWN.
 - SOLDER SHIELD TO CONNECTOR AS SHOWN (OPTIONAL).
 - CRIMP SHIELD TO CABLE AS SHOWN IN CRIMP DETAIL.
 - PRESS ENCLOSURE OVER SHIELD UNTIL CONNECTOR FLANGE IS FLUSH WITH ENCLOSURE EDGE.
 - INSERT JACKSCREWS.

THIS DRAWING IS A CONTROLLED DOCUMENT		DESIGNER	TRAINER	TE Connectivity Corporation Harrisburg, PA 17105-3608
DATE	REV	DATE	REV	
108-40031	1			BULK KIT, RECEPTACLE, AMPLAMITE SOLDER CUP SHIELDING ENCLOSURE 25 POSITION, SIZE 3
108-40031	1			SIZE DATE USE DRAWING NO. RESTRICTED TO
				A1 00779 1571656
				CUSTOMER DRAWING SHEET 4-1 OF 2