

Excellent Integrated System Limited

Stocking Distributor

Click to view price, real time Inventory, Delivery & Lifecycle Information:

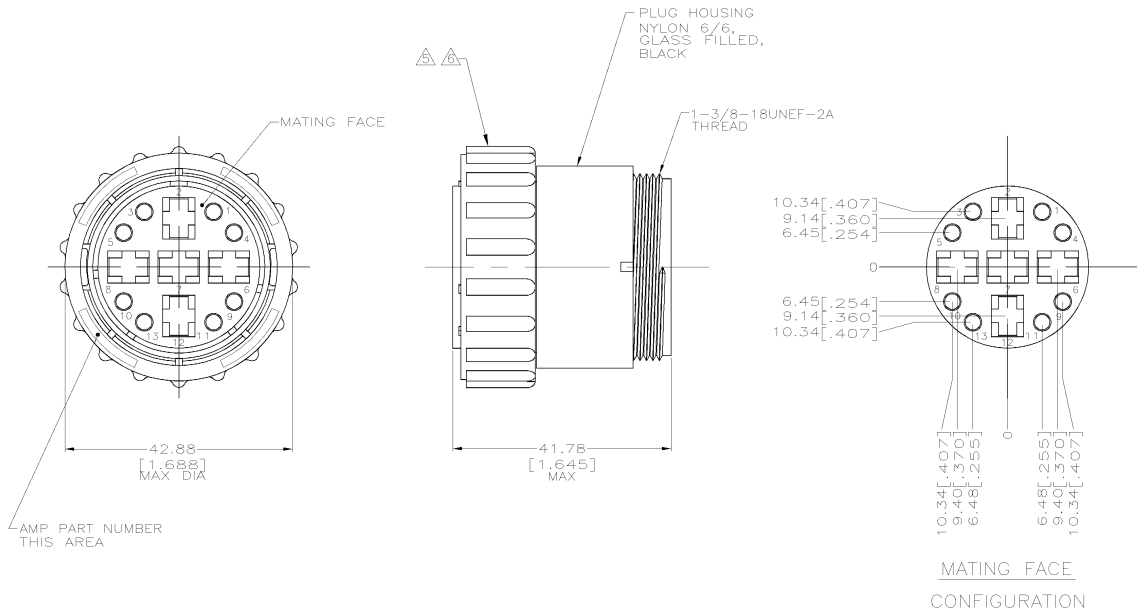
[TE Connectivity AMP Connectors
211824-2](#)

For any questions, you can email us directly:

sales@integrated-circuit.com

THIS DRAWING IS UNPUBLISHED. RELEASED FOR PUBLICATION
 © copyright BY TYCO ELECTRONICS CORPORATION. ALL RIGHTS RESERVED.

| LOC | QTY | REV | DESCRIPTION | DATE | BY | CHKD |
|-----|-----|-----|--------------------------|---------|----|------|
| FT | 0 | D | REVISED PER 063B-0293-02 | 5/22/02 | SS | SH |



NOTES:

1. WILL ACCEPT (8) MULTIMATE SOCKETS AND (5) TYPE XII FEMALE CONTACTS.
 2. MAX WIRE INSULATION DIAMETERS:
 MULTIMATE 3.43 [.135] MAX DIA.
 TYPE XII 5.59 [.220] MAX DIA.
 3. CONTACT CAVITIES IDENTIFIED BY CHARACTERS ON FRONT AND REAR FACES OF CONNECTOR.
 4. THIS PLUG ASSEMBLY MATES WITH RECEPTACLE 211825-1.
- ⚠ COUPLING RING: POLYESTER, BLACK
 ⚠ COUPLING RING: NORYL, BLACK

| |
|-------------|
| 211824-2 |
| 211824-1 |
| PART NUMBER |

| | | | | | | | | | | | | | | | | | | | | | | | |
|--|-----|------------------------------|--|---|---|---|-----|---|-------------|---|-----|---|---|---|-----|---|---|---|-----|---|---|--------------|------|
| THIS DRAWING IS A CONTROLLED DOCUMENT. | | DRW K. EDLITZ 04/04/05 | Tyco Electronics Corporation Harrisburg, PA 17105 | | | | | | | | | | | | | | | | | | | | |
| DIMENSIONS: INCHES | | OR R. STONE 04/05/05 | | | | | | | | | | | | | | | | | | | | | |
| TOLERANCES UNLESS OTHERWISE SPECIFIED: | | SPD ALUMINUM 04/06/05 | PLUG ASSEMBLY, STANDARD SEX, SERIES IV, 23-13, CPC | | | | | | | | | | | | | | | | | | | | |
| <table border="1"> <tr> <td>Ø</td> <td>F/6</td> <td>+</td> <td>-</td> </tr> <tr> <td>Ø</td> <td>F/6</td> <td>+</td> <td>0.13 [.005]</td> </tr> <tr> <td>Ø</td> <td>F/6</td> <td>+</td> <td>-</td> </tr> <tr> <td>Ø</td> <td>F/6</td> <td>+</td> <td>-</td> </tr> <tr> <td>Ø</td> <td>F/6</td> <td>+</td> <td>-</td> </tr> </table> | | Ø | F/6 | + | - | Ø | F/6 | + | 0.13 [.005] | Ø | F/6 | + | - | Ø | F/6 | + | - | Ø | F/6 | + | - | PRODUCT SPEC | SIZE |
| Ø | F/6 | + | - | | | | | | | | | | | | | | | | | | | | |
| Ø | F/6 | + | 0.13 [.005] | | | | | | | | | | | | | | | | | | | | |
| Ø | F/6 | + | - | | | | | | | | | | | | | | | | | | | | |
| Ø | F/6 | + | - | | | | | | | | | | | | | | | | | | | | |
| Ø | F/6 | + | - | | | | | | | | | | | | | | | | | | | | |
| MATERIAL: SEE CALLOUT | | FINISH | APPLICATION SPEC | | | | | | | | | | | | | | | | | | | | |
| | | WEIGHT | DATE CODE | | | | | | | | | | | | | | | | | | | | |
| | | CUSTOMER DRAWING | DRAWING NO | | | | | | | | | | | | | | | | | | | | |
| | | | RESTRICTED TO | | | | | | | | | | | | | | | | | | | | |
| | | | AZ 00779 © 211824 | | | | | | | | | | | | | | | | | | | | |
| | | SCALE: 2:1 | SHEET 1 OF 1 | | | | | | | | | | | | | | | | | | | | |