

Excellent Integrated System Limited

Stocking Distributor

Click to view price, real time Inventory, Delivery & Lifecycle Information:

[Molex Connector Corporation](#)
[0016020096](#)

For any questions, you can email us directly:

sales@integrated-circuit.com

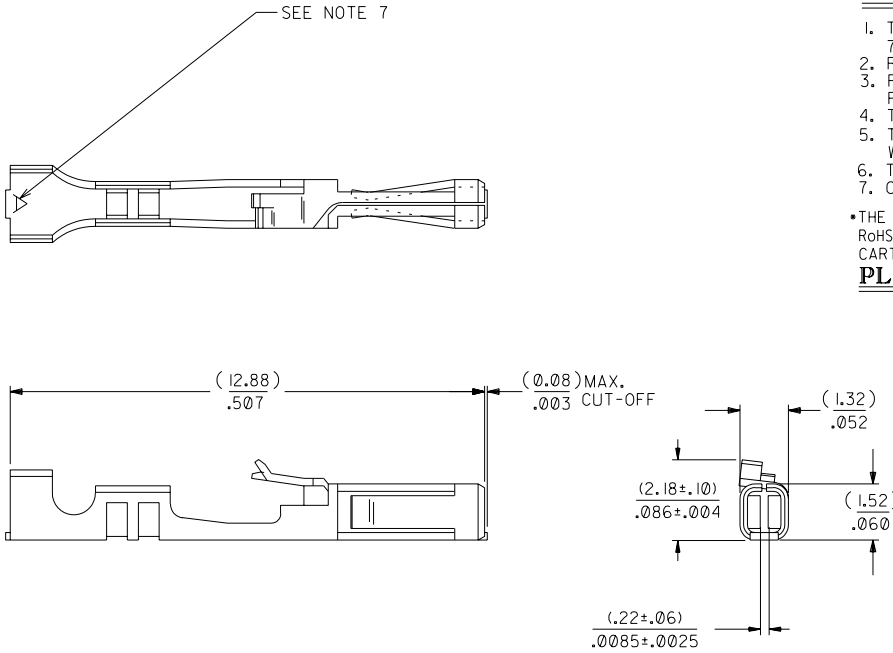
NOTES:

1. TERMINAL TO BE USED IN HOUSINGS 70066-**** AND 70450-****
2. REFER TO PRODUCT SPECIFICATION PS-70058
3. REFER TO MOLEX OPERATIONS AND SERVICE MANUAL FOR CRIMP DETAILS
4. TERMINAL TO BE USED WITH (0.64)/.025 SQUARE PINS
5. TERMINAL TO BE USED WITH 24-30 AWG STRANDED WIRE WITH (1.52)/.060 MAX. DIA. INSULATION
6. TERMINALS SUPPLIED LOOSE PER DRAWING PK-70873-0822
7. CRIMP SIZE INDICATOR A=24-30 AWG

*THE PRIMARY SHIPPING CARTON WILL BE LABELED "COMPLIANT TO RoHS DIRECTIVE 2002/95/EC AND ELV ANNEX II OF DIRECTIVE 2000/53/EC". CARTONS WITHOUT THIS LABEL MAY CONTAIN PRODUCT WITH LEAD.

PLATING:

.000150 MIN. TIN PLATE
OVER NICKEL PLATE.



D		LEAD FREE LCP2004-1769 RWHITE 04/03/11	C1	REVISED PER ECR #U70928 MCCRATH 97/06/26	DIMENSIONS SHOWN (METRIC) INCH UNLESS OTHERWISE SPECIFIED TOLERANCES: ANGULAR ± 1/2°	▽ = 0 ▼ = 0 REVERSE ONLY ON CAD SYSTEM
C3		ADD. CRP. SIZE & NOTE 7 ECN UDT1998-0183 MOWANG 04/17/98	C	164 PLATING WAS 102 PER ECR # U31149 08/17/93 REED	INCH METRIC 3 PLACE ± .005 --- 2 PLACE ± .01 ± 0.13 1 PLACE --- ± 0.25	TITLE TERMINAL - BOX/CRIMP
C2		REVISED ECR #U80270 MCCRATH 97/07/31	B	REDRAWN & REVISED PER ECR #U81133 03/02/88 MJM/JAS	DRAFT WHERE APPLICABLE MUST REMAIN WITHIN DIMENSIONS	MOLEX INCORPORATED SHEET NO. DATE LITTLEFILL. 60532 U.S.A. 1 OF 1 03/02/88
LTR.		REVISIONS	LTR.	REVISIONS	DRWG. BY: JAS CHK'D. BY: MJM APP'D. BY: WAZ SCALE: 10:1	PART NO. DRWG. NO. 016-02-0096 SD-70058-0204 FILE NAME THIS DRAWING CONTAINS INFORMATION THAT IS PROPRIETARY TO S70058A4 MOLEX INC. AND SHOULD NOT BE USED WITHOUT WRITTEN PERMISSION. DIV. SIZE DGN DA B