

Excellent Integrated System Limited

Stocking Distributor

Click to view price, real time Inventory, Delivery & Lifecycle Information:

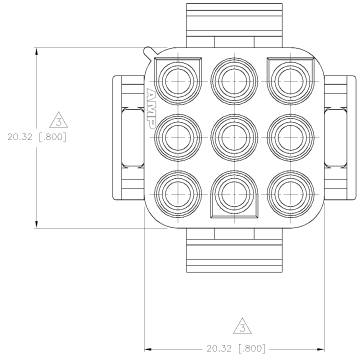
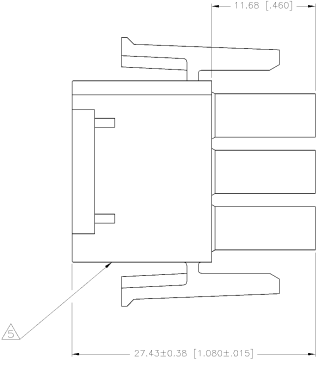
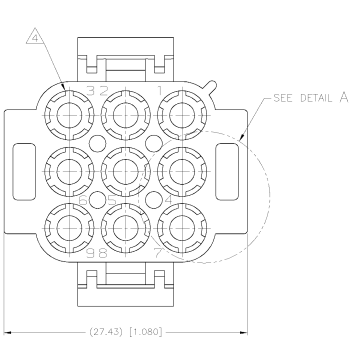
[TE Connectivity AMP Connectors](#)
[794372-1](#)

For any questions, you can email us directly:

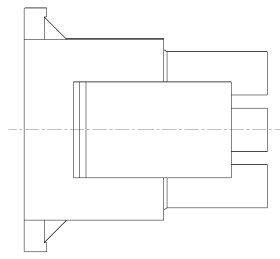
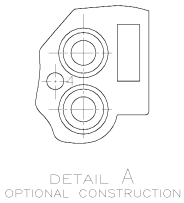
sales@integrated-circuit.com

THIS DRAWING IS UNCLASSIFIED	REVISIONS FOR TELEPHONE
NO CHANGE	NO FRONT REVISION

REV	DATE	BY	REVISIONS
CM	DD	MM	DESCRIPTION
C			REVISED PER DCMB-0593-01
			04-MAY-01 SH SR



- MATES WITH APPROPRIATE UNIVERSAL MATE-N-LOK™ CAP OR HEADER.
 - SMALL NICKS ARE PERMITTED ON THE CIRCUIT TOWERS WHICH COULD INCREASE THE INITIAL HOUSING MATING FORCE BY UP TO 4.45 NEWTONS [1.0] LBS. NO INDIVIDUAL NICKED TOWER SHALL INCREASE THIS FORCE BY OVER 2.22 NEWTONS [.5] LBS.
- ⚠ DIMENSION INDICATED IS AS MOLDED, ADDITIONAL GROWTH DUE TO SUBSEQUENT MOISTURE ABSORPTION MAY OCCUR.
 - ⚠ SIX RIBS EQUALLY SPACED, NO SPECIFIC ORIENTATION.
 - ⚠ UNDERWRITERS RECOGNIZED COMPONENT LOGO AND CSA CERTIFICATION LOGO TO BE LOCATED ONCE EACH ON SIDE OF HOUSING.
 - ⚠ MATERIAL: NYLON, UL 94-V0, BLACK.



THIS DRAWING IS A CONTROLLED DOCUMENT		REV	DATE	BY	REVISIONS
UNCLASSIFIED	NO CHANGE	CM	DD	MM	DESCRIPTION
		C			REVISED PER DCMB-0593-01
					04-MAY-01 SH SR
794372-1 PART NUMBER					
TE Connectivity Corporation Harrisburg, PA 17105-3608		PLUG, 9 CIRCUIT, UNIVERSAL MATE-N-LOK™			
DATE	REV	BY	DESCRIPTION	REV	DATE
A	1	00779	794372		
CUSTOMER DRAWING		REV	DATE	BY	DESCRIPTION
		4-1			