

## Excellent Integrated System Limited

Stocking Distributor

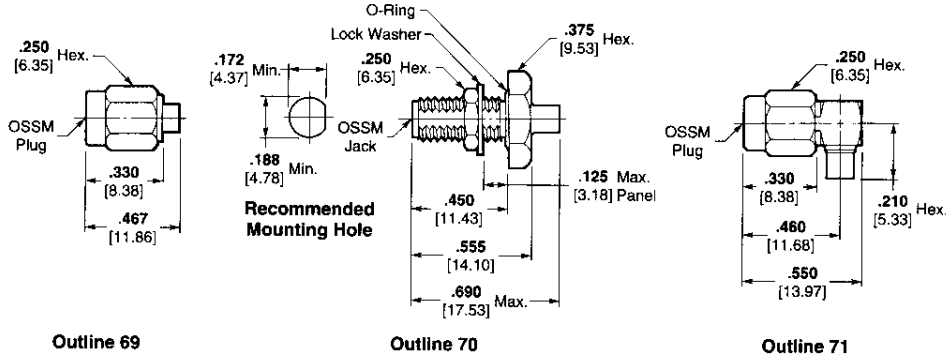
Click to view price, real time Inventory, Delivery & Lifecycle Information:

[TE Connectivity Aerospace, Defense and Marine  
1045418-1](#)

For any questions, you can email us directly:  
[sales@integrated-circuit.com](mailto:sales@integrated-circuit.com)

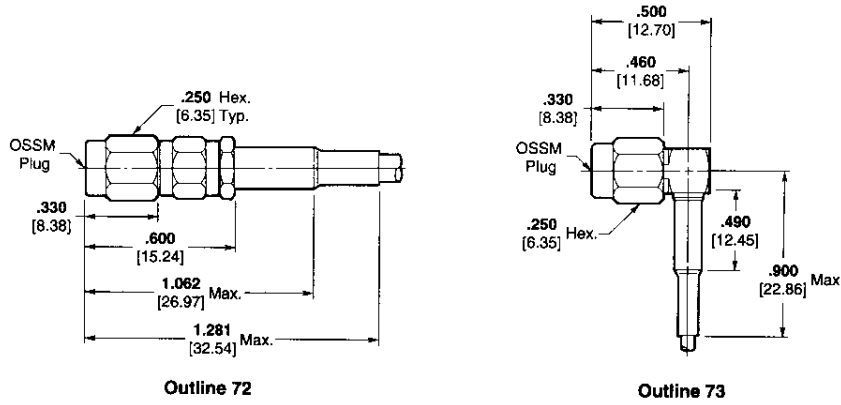
SSMA Connectors for Semi-Rigid Cable and Flexible Cable

Non-Captured Center Contact



| DSCC Part Number | M/A-COM Part Number (Ref. Only) | Outline | Assembly Procedure 408- | RG/U Cable | AMP Part Number |
|------------------|---------------------------------|---------|-------------------------|------------|-----------------|
| 86116ZSG         | 1001-5045-92                    | 69      | 4622                    | 405        | 1045358-1       |
| 86117ZSG         | 1004-5005-90                    | 70      | —                       | 405        | 1045398-1       |
| 86118ZSG         | 1007-5015-92                    | 71      | 4968                    | 405        | 1045418-1       |

Captured Center Contact



| DSCC Part Number | M/A-COM Part Number (Ref. Only) | Outline | Assembly Procedure 408- | RG/U Cable    | AMP Part Number |
|------------------|---------------------------------|---------|-------------------------|---------------|-----------------|
| 86119ZSG         | 1031-5031-92                    | 72      | —                       | 174, 316, 179 | 1045486-1       |
| 86120ZSG         | 1037-5032-92                    | 73      | 4759                    | 174, 316, 179 | 1045517-1       |

RF Connectors

\* Defense Electronics Supply Center, Dayton, Ohio