

Excellent Integrated System Limited

Stocking Distributor

Click to view price, real time Inventory, Delivery & Lifecycle Information:

[TE Connectivity AMP Connectors](#)
[1527329-3](#)

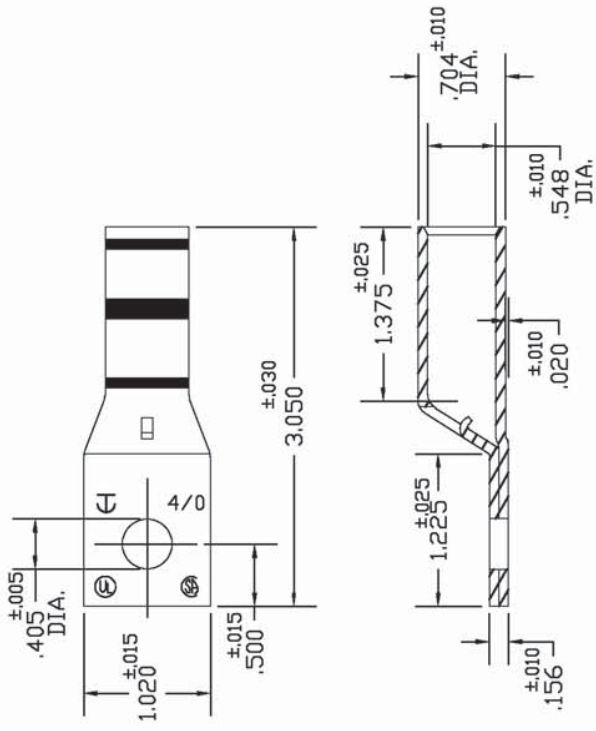
For any questions, you can email us directly:

sales@integrated-circuit.com



1
2
3
4

LOC		DIST		REV PER		DATE		OWN		APVD	
G		50		A		28/JAN/04		JR		MS	
REVISIONS											
P		LIR		DESCRIPTION		DATE		OWN		APVD	
A		REV PER		063H-0033-04		28/JAN/04		JR		MS	



COLOR CODED PURPLE

ACTIVE	L-40387	STANDARD	COLOR CODED	1527329-3
STATUS	AET P/N	PACKAGING	FINISH	PART NUMBER
THIS DRAWING IS A CONTROLLED DOCUMENT.				
OWN		2/6/01		
D.A.A.		Tyco Electronics Corporation		
CHK		2/6/01		
H.D.F.		Harrisburg, PA 17105-3608		
APVD		2/6/01		
H.D.F.		NAME		
PRODUCT SPEC		TUBULAR TERMINAL		
APPLICATION SPEC		#4/0 LONG BARREL		
WEIGHT		RESTRICTED TO		
FINISH		SIZE		
COPPER ASTM B-75		CAGE CODE		
		DRAWING NO		
		A3 00779		
		SCALE		
		1:1		
		SHEET		
		1 OF 1		
		REV		
		A		

THIS DRAWING IS UNPUBLISHED. RELEASED FOR PUBLICATION
 BY TYCO ELECTRONICS CORPORATION. ALL RIGHTS RESERVED.