

Excellent Integrated System Limited

Stocking Distributor

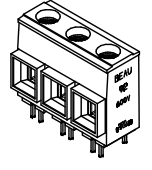
Click to view price, real time Inventory, Delivery & Lifecycle Information:

[Molex Connector Corporation](#)
[39920-0506](#)

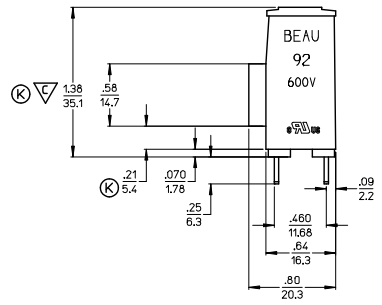
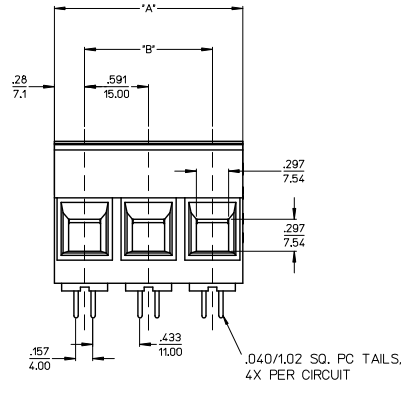
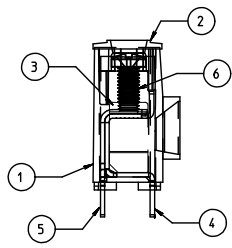
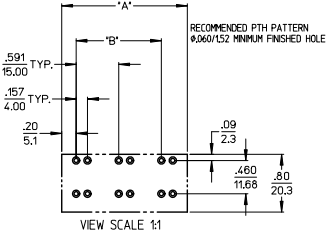
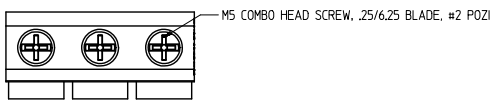
For any questions, you can email us directly:

sales@integrated-circuit.com

| MATERIAL NO. | ENGINEERING NUMBER | NUMBER OF CIRCUITS | DIM 'A' | DIM 'B' |
|--------------|--------------------|--------------------|--------------|--------------|
| -56 OPTION | | | .010/.13 | |
| 399200502 | 920502-56 | 02 | 1.150/29.21 | .591/15.01 |
| 399200503 | 920503-56 | 03 | 1.740/44.20 | 1.181/30.00 |
| 399200504 | 920504-56 | 04 | 2.330/59.16 | 1.772/45.01 |
| 399200505 | 920505-56 | 05 | 2.920/74.17 | 2.362/59.99 |
| 399200506 | 920506-56 | 06 | 3.510/89.15 | 2.953/75.01 |
| 399200507 | 920507-56 | 07 | 4.100/104.14 | 3.543/89.99 |
| 399200508 | 920508-56 | 08 | 4.690/119.13 | 4.134/105.00 |
| 399200509 | 920509-56 | 09 | 5.280/134.11 | 4.724/119.99 |
| 399200510 | 920510-56 | 10 | 5.870/149.10 | 5.315/135.00 |
| 399200511 | 920511-56 | 11 | 6.470/164.43 | 5.906/150.01 |
| 399200512 | 920512-56 | 12 | 7.060/179.32 | 6.496/165.00 |



ACTUAL SIZE



NOTES:
 1. DESIGNED TO MEET NEC & UL 1059 CLASS C 600 VOLTS
 2. "XX" REFERS TO THE NUMBER OF CIRCUIT POSITIONS.
 3. ROHS COMPLIANT BY EXEMPTION. *

| ITEM | QTY. | DESCRIPTION | MATERIAL | FINISH |
|------|------|------------------------------------|---------------|--------|
| 6 | XX | SCREW, M5, #2 POZI-SLOT, ST. STEEL | S.S. | TIN |
| 5 | XX | TERMINAL | COPPER | TIN |
| 4 | XX | TERMINAL | COPPER | TIN |
| 3 | XX | CAGE * | BRASS | NICKEL |
| 2 | 1 | COVER | THERMOPLASTIC | BLACK |
| 1 | 1 | BODY | THERMOPLASTIC | BLACK |

| | | | | | | | | |
|--|-------------------------------|--|---|--------------------------|--|--------------|----------------------|------------------------|
| UPDATE DIM. ADD. CTO. DIM. EC NO: IPG2015-1681 DRW: JENCINAS 2013/09/17 CHKD: MALNETL 2013/09/17 APPR: MALNETL 2013/09/24 K | QUALITY SYMBOLS ▽=0 ▽=1 | GENERAL TOLERANCES (UNLESS SPECIFIED) | | DIMENSION STYLE IN/MM | | SCALE 4:1 | DESIGN UNITS INCH | THIRD ANGLE PROJECTION |
| | | 4 PLACES ±.002 3 PLACES ±0.003 ±.005 2 PLACES ±0.13 ±.01 1 PLACE ±0.3 ±.1 | DRAWN BY GHR | DATE 00/02/03 | TITLE SR, BTS, #3AWG 85A, 600V | | | |
| | | ANGULAR ±1/2° | CHECKED BY RKEMP | DATE 00/12/11 | APPROVED BY LROTHAUS | | | |
| | | DRAFT WHERE APPLICABLE MUST REMAIN WITHIN DIMENSIONS | MATERIAL NO. SEE CHART | DATE 01/05/10 | MOLEX INCORPORATED DOCUMENT NO. SD-39920-005 | | | |
| SHEET NO. 1 OF 1 | | | THIS DRAWING CONTAINS INFORMATION THAT IS PROPRIETARY TO MOLEX INCORPORATED AND SHOULD NOT BE USED WITHOUT WRITTEN PERMISSION | | | | | |