

BRUSHLESS DC FANS

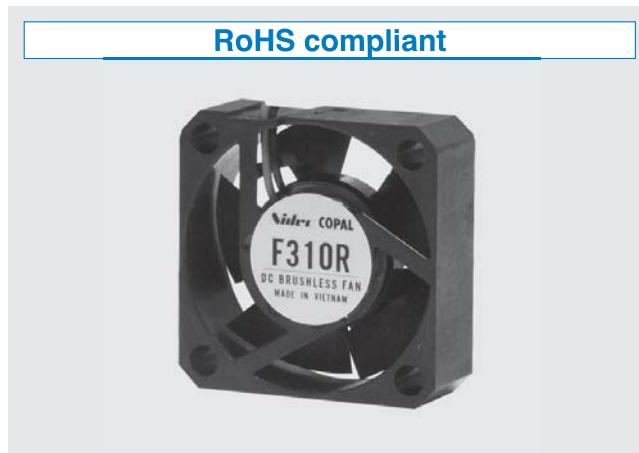
F310R

FEATURES

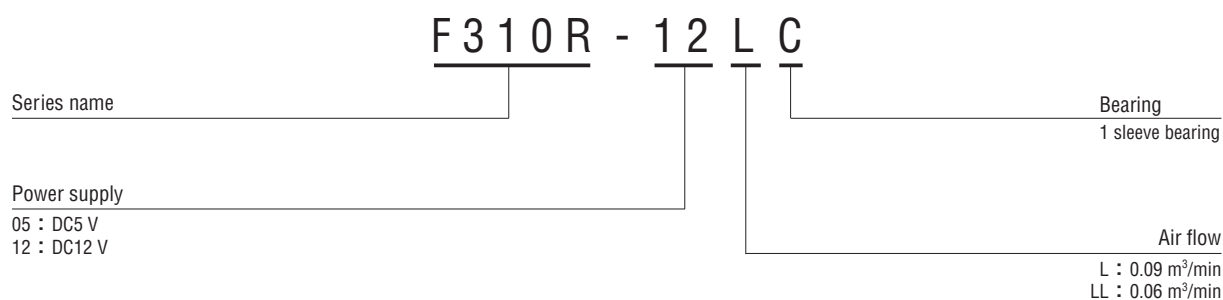
- Low noise, 13 dB (A)
- Light weight (approx. 8 g)

STRUCTURE

- Frame and impeller
ABS/PBT alloy
- Bearing
1 sleeve bearing



PART NUMBER DESIGNATION



LIST OF PART NUMBERS

Power supply	1 sleeve bearing	
	Air flow 0.09 m ³ /min	Air flow 0.06 m ³ /min
DC5 V	F310R-05LC	F310R-05LLC
DC12 V	F310R-12LC	F310R-12LLC

※ Verify the above part numbers when placing orders.

F310R

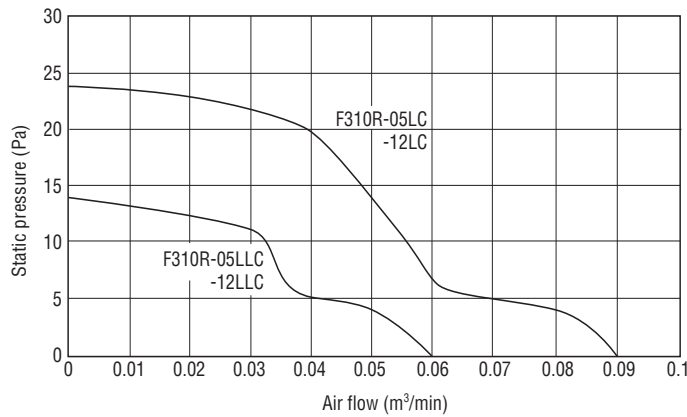
BRUSHLESS DC FANS

STANDARD SPECIFICATIONS

Item	F310R-05LLC	F310R-05LC	F310R-12LLC	F310R-12LC
Rated voltage	DC5 V		DC12 V	
Voltage range	4.5 ~ 5.7 V		10.2 ~ 13.8 V	
Rated current	0.06 A	0.09 A	0.04 A	0.05 A
Rotating speed	5500 min ⁻¹	7000 min ⁻¹	5500 min ⁻¹	7000 min ⁻¹
Air flow	0.06 m ³ /min	0.09 m ³ /min	0.06 m ³ /min	0.09 m ³ /min
Static pressure	14 Pa	23 Pa	14 Pa	23 Pa
Noise	13 dB (A)	17 dB (A)	13 dB (A)	17 dB (A)
Use environment	-10 ~ +60 °C (35 ~ 85 %RH)			
Storage environment	-20 ~ +70 °C (35 ~ 85 %RH)			
Net weight	Approx. 8 g			

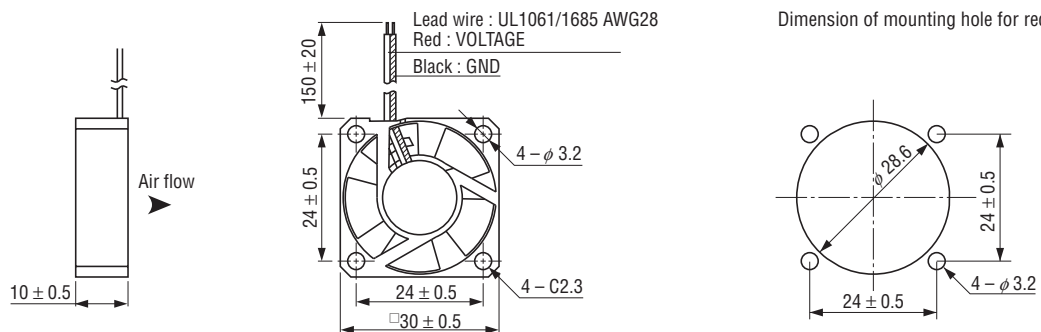
※ The specifications above are typical values measured on the conditions of no-loading running with rated voltage in the circumstances of 25 °C ± 2 °C, 35~ 85 %RH. Please contact us if you would liketo check the specifications in different circumstances.

AIR FLOW PERFORMANCE CURVES



OUTLINE DIMENSIONS

(Unit: mm)



Dimension of mounting hole for recommendation

