

Excellent Integrated System Limited

Stocking Distributor

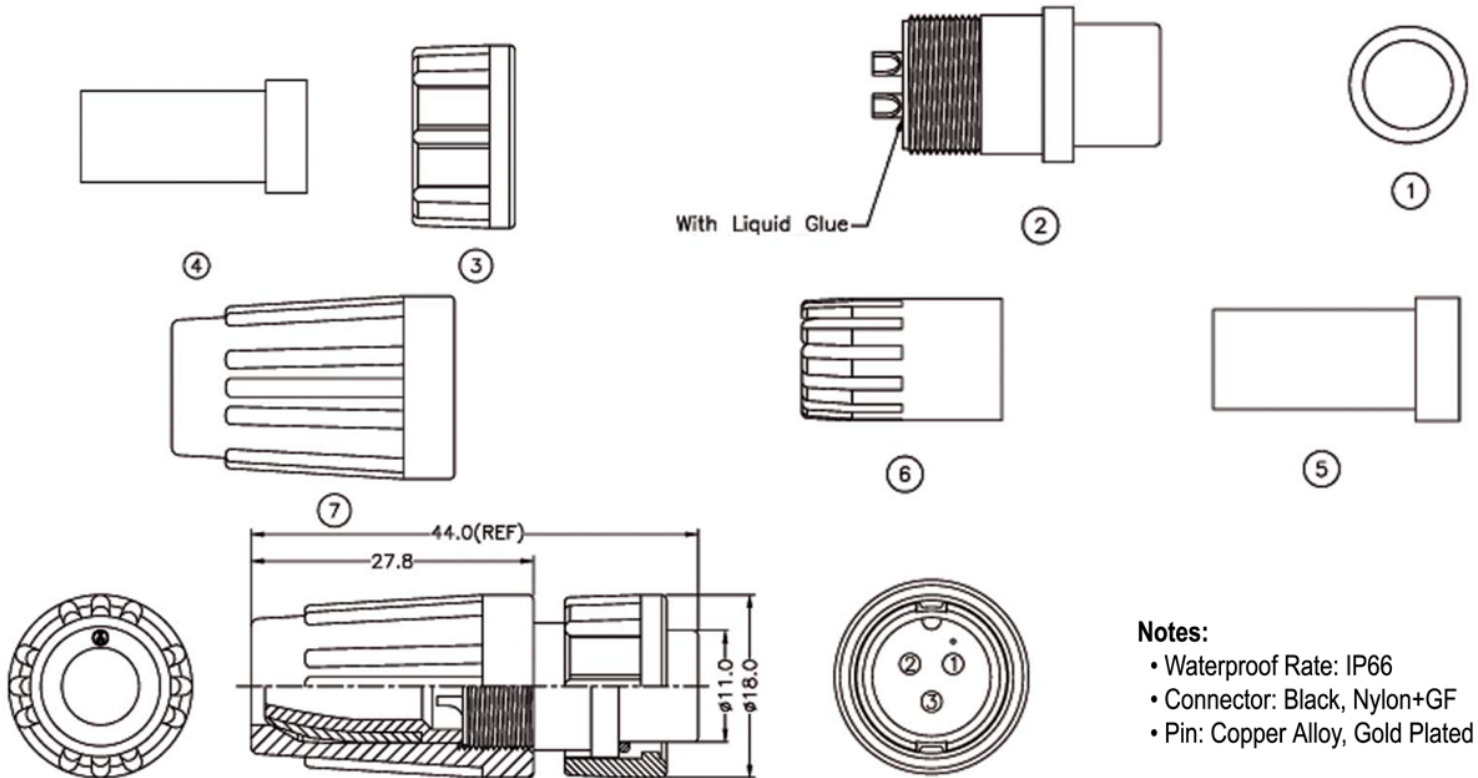
Click to view price, real time Inventory, Delivery & Lifecycle Information:

[ASSMANN WSW Components](#)

[A-CR-03BFFA-L180-WP](#)

For any questions, you can email us directly:

sales@integrated-circuit.com



Notes:

- Waterproof Rate: IP66
- Connector: Black, Nylon+GF
- Pin: Copper Alloy, Gold Plated

RoHS
Compliant

ITEM NO

A-CR-03BFFA-L180-WP (Female, 3 Pin)

TITLE

Waterproof Circular Connector (5A) Assembly Type, Panel Mount

ASSMANN
Electronics, Inc.

1840 W. Drake Drive, Suite 101 - Tempe, AZ 85283

Toll Free: 1-877-277-6266 Email: info@usa-assmann.com

THIS DRAWING IS UNPUBLISHED

© Copyright 2008 by Assmann Electronic Components
All International Rights Reserved