

Excellent Integrated System Limited

Stocking Distributor

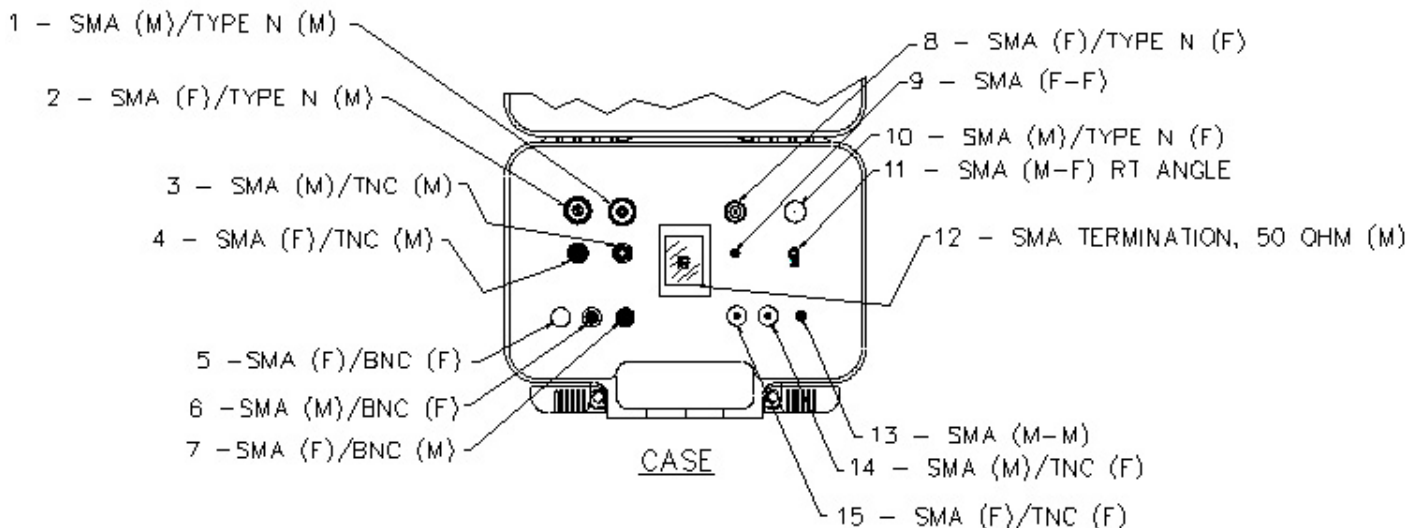
Click to view price, real time Inventory, Delivery & Lifecycle Information:

[Pomona Electronics](#)
[72931](#)

For any questions, you can email us directly:

sales@integrated-circuit.com

Model 72931 – SMA Adapter Kit



Features:

- All 15 adapters in kit are direct. **No intermediate couplers.**
- Reduced signal loss in adapters due to absence of couplers.
- Kit includes the most frequently used SMA adapters including SMA / SMA, SMA / BNC, SMA / N, SMA / TNC. See complete list in drawing or table below.
- Rugged, lockable, pistol-grip case.
- All parts precision machined brass with tarnish resistant gold or nickel plating.
- Male center pins are gold plated brass.
- Female contacts are gold plated heat treated beryllium copper.
- Insulation material is high density PTFE.



**Order Example: 72931
 (SMA Adapter Kit)**

All dimensions are in inches. Tolerances (except noted): .xx = ±.02" (.51 mm), .xxx = ±.005" (.127 mm).
 All specifications are to the latest revisions. Specifications are subject to change without notice.
 Registered trademarks are the property of their respective companies.



Model 72931 – SMA Adapter Kit

RATINGS:

See Rating Information for each specific adapter in table below.

Item	Description	Part Number	NOM. IMPEDANCE	FREQ. RANGE	VSWR	OPERATING TEMP
1	SMA male/TYP N male	4296	50 Ohms	0 to 12.4GHz	1.35 to 11GHz	- 65° to +165° C
2	SMA female TYPE N male	4283	50 Ohms	0 to 11 GHz	1.35 to 11GHz	- 65° to +165° C
3	SMA male/TNC male	4292	50 Ohms	0 to 12.4 GHz	1.35 to 11GHz	- 65° to +165° C
4	SMA female/TNC male	4293	50 Ohms	0 to 12.4 GHz	1.35 to 11GHz	- 65° to +165° C
5	SMA female/BNC female	4291	50 Ohms	0 to 12.4 GHz	1.35 to 11GHz	- 65° to +165° C
6	SMA male/BNC female	4290	50 Ohms	0 to 12.4 GHz	1.35 to 11GHz	- 65° to +165° C
7	SMA female/BNC male	4289	50 Ohms	0 to 12.4 GHz	1.35 to 11GHz	- 65° to +165° C
8	SMA female/TYP N female	4299	50 Ohms	0 to 11 GHz	1.35 to 11GHz	- 65° to +165° C
9	SMA female/female	4284	50 Ohms	0 to 12.4 GHz	1.35 to 11GHz	- 65° to +165° C
10	SMA male/TYP N female	4298	50 Ohms	0 to 11 GHz	1.35 to 11GHz	- 65° to +165° C
11	SMA male/female	4282	50 Ohms	0 to 12.4 GHz	1.35 to 11GHz	- 65° to +165° C
12	SMA male TERM 50 Ohm	4286	50 Ohms	DC to 18 GHz	1.25 Max at 18 GHz	- 65° to +165° C
13	SMA male/male	4283	50 Ohms	0 to 12.4 GHz	1.35 to 11GHz	- 65° to +165° C
14	SMA male/TNC female	4294	50 Ohms	0 to 12.4 GHz	1.35 to 11GHz	- 65° to +165° C
15	SMA female/TNC female	4295	50 Ohms	0 to 12.4 GHz	1.35 to 11GHz	- 65° to +165° C

All dimensions are in inches. Tolerances (except noted): .xx = ±.02" (.51 mm), .xxx = ± .005" (.127 mm).

All specifications are to the latest revisions. Specifications are subject to change without notice.

Registered trademarks are the property of their respective companies.

Sales: 800-490-2361 Fax: 888-403-3360 Technical Support: 800-241-2060 (technicalsupport@pomonatest.com)
 For "Where to Buy" information, visit the Pomona web site at www.pomonaelectronics.com