

## Excellent Integrated System Limited

Stocking Distributor

Click to view price, real time Inventory, Delivery & Lifecycle Information:

[FDK America Inc.](#)  
[CR123A](#)

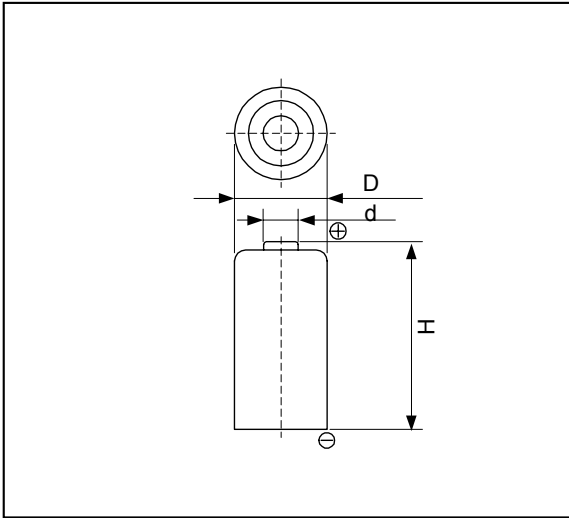
For any questions, you can email us directly:

[sales@integrated-circuit.com](mailto:sales@integrated-circuit.com)



# Cell Type CR123A

## Specifications



Nominal Capacity <sup>*1</sup>		1400mAh
Nominal Voltage		3V
Standard Discharge Current		10mA
Max. Discharge Current	Continuous <sup>*2</sup>	1500mA
	Pulse <sup>*3</sup>	3500mA
Temperature Range		-40°C ~ 60°C
Weight		17g
Dimensions	D	17.0mm
	H	34.5mm
	d	6.3mm

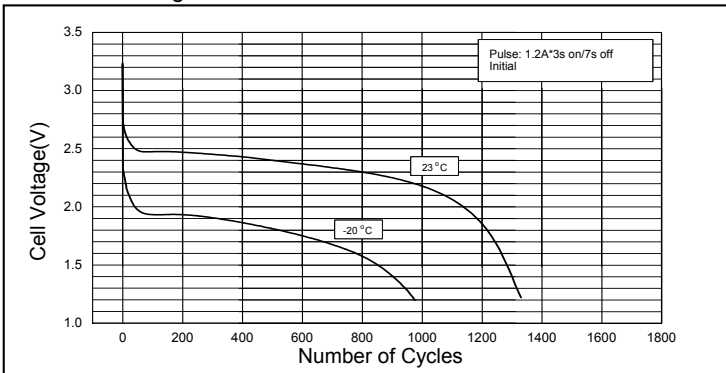
\*1 Nominal capacity is determined to an end voltage of 2.0V when the battery is allowed to discharge at a standard current level at 23°C.

\*2 Current value is determined to be the level at which 50% of the nominal capacity is obtained with an end voltage of 2.0V at 23 °C.

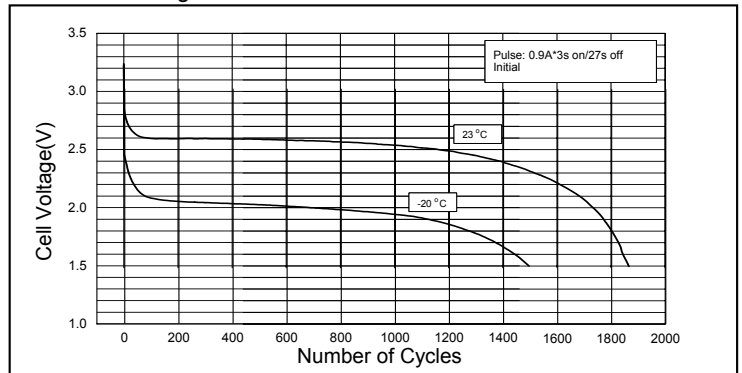
\*3 Current value for obtaining 1.0V cell voltage when pulse is applied for 15seconds at 50% discharge depth at 23 °C.

### Typical Characteristics

Pulse Discharge Characteristics of CR123A



Pulse Discharge Characteristics of CR123A



Discharge Characteristics of CR123A

