

Excellent Integrated System Limited

Stocking Distributor

Click to view price, real time Inventory, Delivery & Lifecycle Information:

[FDK America Inc.](#)
[HR-AU](#)

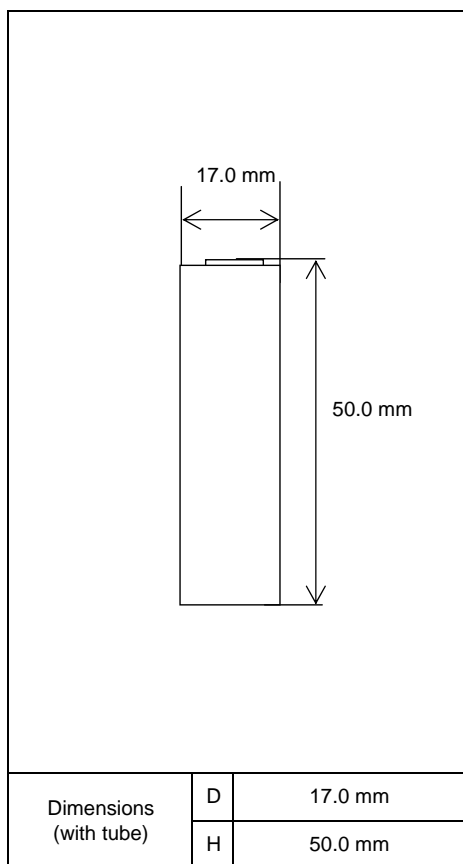
For any questions, you can email us directly:

sales@integrated-circuit.com



Cell Type HR-AU

Specifications



Type : Nickel-Metal Hydride Battery		Size : A
Capacity ¹⁾	Typical	2700mAh
	Minimum	2450mAh
Nominal Voltage		1.2V
Charging Current x Time	Fast Charge ²⁾	2700 mA x about 1.1h
Ambient Temp.	Charge Condition	Fast Charge ²⁾
	Discharge Condition	0°C - 40°C
	Storage Condition	0°C - 50°C
Storage Condition	Less than 30days	-20°C - 50°C
	Less than 90days	-20°C - 40°C
	Less than 1year	-20°C - 30°C
Internal Impedance ³⁾ (after discharge to E.V.=1.0V)		Approx. 20mΩ(at 1000Hz)
Weight ⁴⁾		Approx. 40 g
Size ⁴⁾ : (Diameter) x (Height)		17.0(D) x 50.0(H) mm

1)Single cell capacity under the following condition.

Charge : 270mA x 16h, Discharge : 540mA (E.V.=1.0V) at 20°C

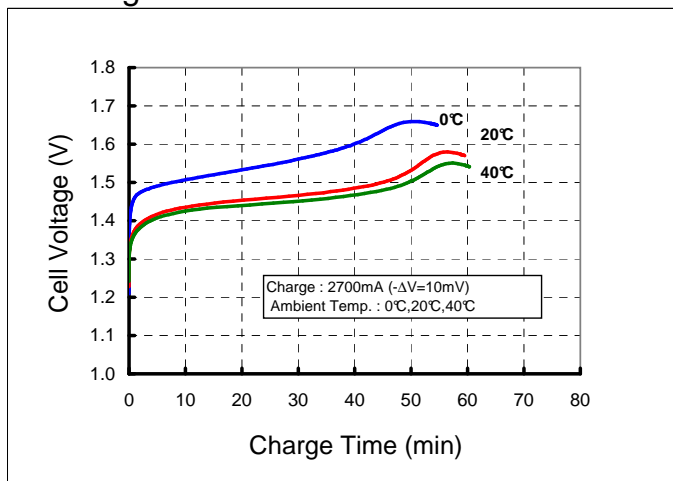
2)Use recommended charging system.

3)After a few charge and discharge cycles under the above 1) condition.

4)With tube.

Typical Characteristics

Charge



Discharge

