



Distributor of Hirose Electric Co Ltd: Excellent Integrated System Limited
Datasheet of MQ212-10PRT - Connector Receptacle 10 Position 0.020" (0.50mm) Gold
Surface Mount, Right Angle

Contact us: sales@integrated-circuit.com Website: www.integrated-circuit.com

Excellent Integrated System Limited

Stocking Distributor

Click to view price, real time Inventory, Delivery & Lifecycle Information:

[Hirose Electric Co Ltd](#)
[MQ212-10PRT](#)

For any questions, you can email us directly:
sales@integrated-circuit.com

2008/05/02 02:27:34 CAROL TRIBBLE

DRAWING FOR REFERENCE: This is subject to change without notice

| COUNT | DESCRIPTION OF REVISIONS | BY | CHKD | DATE | COUNT | DESCRIPTION OF REVISIONS | BY | CHKD | DATE |
|--------------------------------------|-----------------------------|---|---------|---------|---|--------------------------|------------|----------|----------|
| △ | 1 | RE-E-09961 | M.S.K.I | 04.5.11 | △ | | | | |
| △ | | | | | △ | | | | |
| APPLICABLE STANDARD | | EIAJ RC-5240 | | | | | | | |
| RATING | OPERATING TEMPERATURE RANGE | -40 °C TO +85 °C | | | STORAGE TEMPERATURE RANGE | -40 °C TO +85 °C | | | |
| | VOLTAGE | AC 50V | | | OPERATING HUMIDITY RANGE | 5 % TO 85 % | | | |
| | CURRENT | 0.3 A | | | APPLICABLE CABLE | - | | | |
| SPECIFICATIONS | | | | | | | | | |
| ITEM | | TEST METHOD | | | REQUIREMENTS | | | QT | AT |
| CONSTRUCTION | | | | | | | | | |
| GENERAL EXAMINATION | | VISUALLY AND BY MEASURING INSTRUMENT. | | | ACCORDING TO DRAWING. | | | ○ | ○ |
| MARKING | | CONFIRMED VISUALLY. | | | | | | ○ | ○ |
| ELECTRIC CHARACTERISTICS | | | | | | | | | |
| CONTACT RESISTANCE | | 100 mA (DC OR 1000 Hz). | | | 50 mΩ MAX. | | | ○ | - |
| INSULATION RESISTANCE | | 250 V DC. | | | 100 MΩ MIN. | | | ○ | - |
| VOLTAGE PROOF | | 250 V AC FOR 1 min. | | | NO FLASHOVER OR BREAKDOWN. | | | ○ | ○ |
| MECHANICAL CHARACTERISTICS | | | | | | | | | |
| INSERTION AND WITHDRAWAL FORCES | | MEASURED BY APPLICABLE CONNECTOR. | | | INSERTION FORCE 24.5 N MAX. WITHDRAWAL FORCE 2.5 N MIN. | | | ○ | - |
| MECHANICAL OPERATION | | 10000 TIMES INSERTIONS AND EXTRACTIONS. | | | ① CONTACT RESISTANCE : 100 mΩ MAX. ② INSERTION FORCE 24.5 N MAX. WITHDRAWAL FORCE 1.9 N MIN. ③ NO DAMAGE, CRACK AND LOOSENESS, OF PARTS. | | | ○ | - |
| VIBRATION | | FREQUENCY 10 TO 55 Hz, SINGLE AMPLITUDE 0.75 mm, AT 2 h, FOR 3 DIRECTIONS, TOTAL 6 h. | | | ① NO ELECTRICAL DISCONTINUITY OF 1 μs. ② NO DAMAGE, CRACK AND LOOSENESS, OF PARTS. | | | ○ | - |
| SHOCK | | 490 m/s ² DIRECTIONS OF PULSE 11 ms AT 3 TIMES FOR 6 DIRECTIONS, TOTAL 18 TIMES. | | | | | | ○ | - |
| ENVIRONMENTAL CHARACTERISTICS | | | | | | | | | |
| RAPID CHANGE OF TEMPERATURE | | TEMPERATURE -40 → 25 → 85 → 25 °C TIME 30 → 2 TO 3 → 30 → 2 TO 3 min UNDER 5 CYCLES. | | | ① CONTACT RESISTANCE : 100 mΩ MAX. ② NO DAMAGE, CRACK AND LOOSENESS, OF PARTS. | | | ○ | - |
| DAMP HEAT (STEADY STATE) | | EXPOSED AT 40±2 °C, 90~95 %, 96 h (FOR 4 DAYS). | | | ① CONTACT RESISTANCE : 100 mΩ MAX. ② INSULATION RESISTANCE : 10 MΩ MIN. ③ NO FLASHOVER OR BREAKDOWN. ④ NO DAMAGE, CRACK AND LOOSENESS, OF PARTS. | | | ○ | - |
| DRY HEAT | | EXPOSED AT +85±2 °C, 96±4 h. | | | ① CONTACT RESISTANCE : 100 mΩ MAX. ② NO DAMAGE, CRACK AND LOOSENESS, OF PARTS. | | | ○ | - |
| COLD | | EXPOSED AT -40±3 °C, 96±4 h. | | | ① CONTACT RESISTANCE : 100 mΩ MAX. ② NO DAMAGE, CRACK AND LOOSENESS, OF PARTS. | | | ○ | - |
| CORROSION SALT MIST | | EXPOSED IN 5±1 % SALT WATER, 35±3 °C FOR 48 ±4 h. | | | ① CONTACT RESISTANCE : 100 mΩ MAX. ② NO HEAVY CORROSION. | | | ○ | - |
| REMARKS | | | | | DRAWN | DESIGNED | CHECKED | APPROVED | RELEASED |
| | | | | | M.SHIMOYAMA | M.SHIMOYAMA | M.NAKAMURA | A.SUZUKI | |
| | | | | | 04.2.27 | 04.2.27 | 04.3.1 | 04.3.2 | |

Unless otherwise specified, refer to JIS C 5402.

Note QT:Qualification Test AT:Assurance Test O:Applicable Test

HRS HIROSE ELECTRIC CO., LTD. SPECIFICATION SHEET PART NO. MQ212-10PRT

CODE NO.(OLD) DRAWING NO. CODE NO. 1/2
 CI ELC4-124433 CI 206-2425-5

TO
0

2008/05/02 02:27:34 CAROL TRIBBLE

DRAWING FOR REFERENCE: This is subject to change without notice

SPECIFICATIONS

| ITEM | TEST METHOD | REQUIREMENTS | QT | AT |
|------------------------------|---|---|----|----|
| SOLDERBILITY | SOLERRING POINT OF CONTACTS IMMERSION IN SOLDER BATH OF 235±5°C, 2±0.5 sec. | SOLDERING POINT OF CONTACTS IMMERSION IN SOLDER, 90% MIN. | ○ | — |
| RESISTANCE TO SOLDERING HEAT | MOLTEN-SDDER TEMPERATURE: 260±5°C. IMMERSION FURABILITY PER LOCATION: 2± 1 sec. | NO DAMAGE, CRACK AND LOOSENESS, OF PARTS. | ○ | — |

| | | | | | |
|---------|-------------|-------------|------------|----------|----------|
| REMARKS | DRAWN | DESIGNED | CHECKED | APPROVED | RELEASED |
| | M.SHIMOYAMA | M.SHIMOYAMA | M.NAKAMURA | A.SUZUKI | |
| | 04.2.27 | 04.2.27 | 04.3.1 | 04.3.2 | |

Unless otherwise specified, refer to JIS C 5402.

Note QT:Qualification Test AT:Assurance Test ○:Applicable Test

| | | |
|--------------------------------------|---------------------|-------------------------|
| HRS HIROSE ELECTRIC CO., LTD. | SPECIFICATION SHEET | PART NO. MQ212-10PRT |
|--------------------------------------|---------------------|-------------------------|

| | | | |
|---------------------|----------------------------|--------------------------|-----|
| CODE NO.(OLD) CI | DRAWING NO. ELC4-124433 | CODE NO. CL206-2425-5 | 2/2 |
|---------------------|----------------------------|--------------------------|-----|

| |
|----|
| TO |
| Q |
| |
| |
| |

2008/05/02 02:27:35 CAROL TRIBBLE

DRAWING FOR REFERENCE: This is subject to change without notice

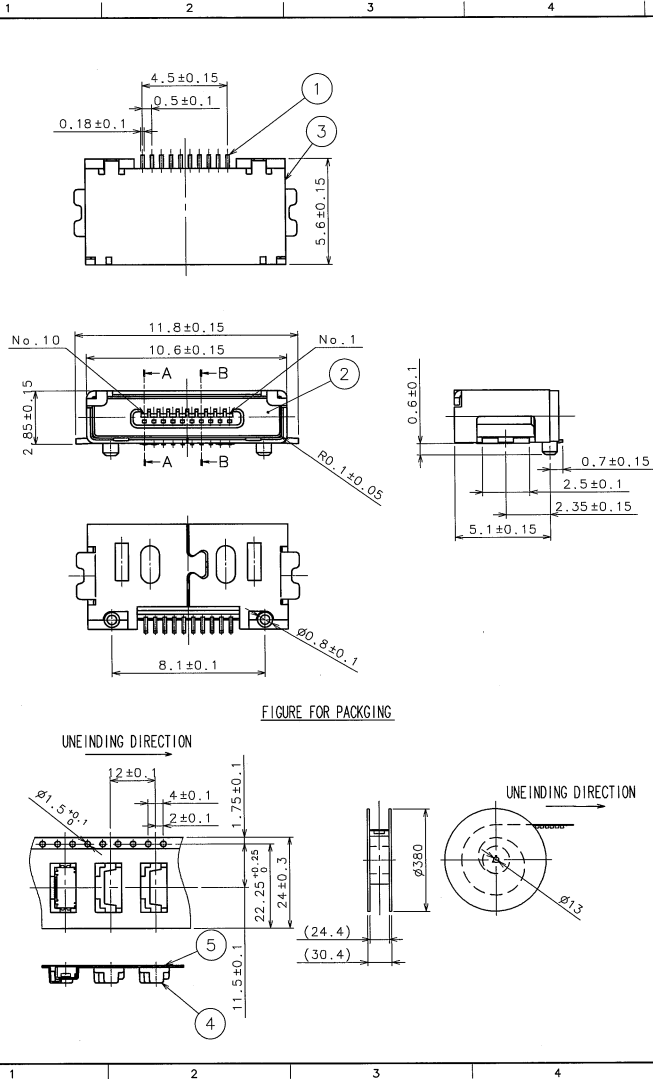
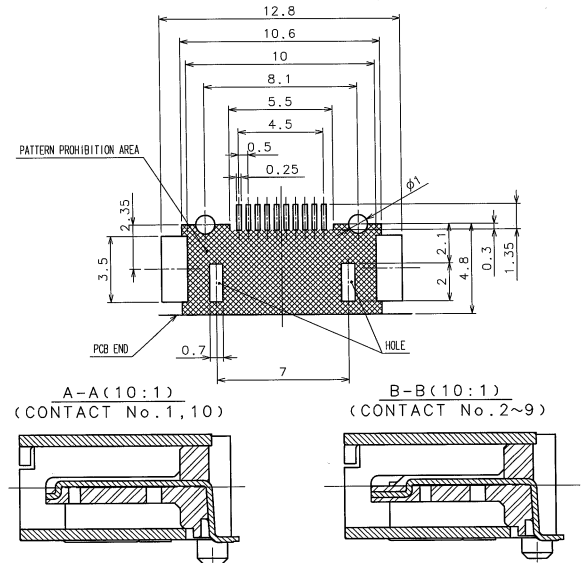


FIGURE FOR PACKING

| COUNT | | | | DESCRIPTION OF REVISIONS | | | | COUNT | | | | DESCRIPTION OF REVISIONS | | | |
|-------|------|------|--|--------------------------|--|--|--|-------|------|------|--|--------------------------|--|--|--|
| BY | CHKD | DATE | | | | | | BY | CHKD | DATE | | | | | |
| | | | | | | | | | | | | | | | |

RECOMMENDED PC BOARD PATTERN



NOTE 1 PER RELL: 1500 PIECES.
 2 CO-PLANARITY TO BE 0.1mm MAX.

| NO. | MATERIAL | FINISH, REMARKS | NO. | MATERIAL | FINISH, REMARKS |
|-----|-----------------|--|-----|-----------------|---|
| 2 | LCP | UL94V-0 (BLACK) | 5 | PS | |
| 1 | PHOSPHOR BRONZE | UNDER PLATING: NICKEL 2μm MIN CONTACT AREA: GOLD 0.2μm MIN LEAD AREA: GOLD FLASH | 4 | PS | |
| | | | 3 | PHOSPHOR BRONZE | UNDER PLATING: NICKEL 1μm MIN MOUNTING AREA: TIN 1μm MIN |

| CODE NO. (OLD) | DRAWN | DESIGNED | CHECKED | APPROVED | RELEASED |
|----------------|---------------------|---------------------|--------------------|--------------------|----------|
| | <i>M. Shirogane</i> | <i>M. Shirogane</i> | <i>H. Nakamura</i> | <i>[Signature]</i> | |
| | 04-2-27 | 04-2-27 | 04-3-1 | 04-3-2 | |

| | | | | | |
|-------|-------|-------------|--------------------------|----------|--------------|
| SCALE | 5 : 1 | DRAWING NO. | EDC3-124433 | PART NO. | MQ212-10PRT |
| UNITS | mm | HRS | HIROSE ELECTRIC CO., LTD | CODE NO. | CL206-2425-5 |

| |
|----|
| TO |
| Q |
| |
| |