

Excellent Integrated System Limited

Stocking Distributor

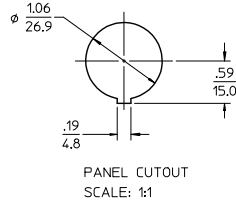
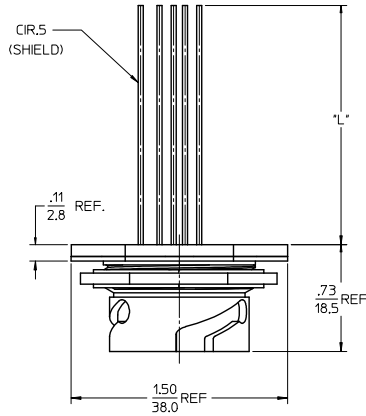
Click to view price, real time Inventory, Delivery & Lifecycle Information:

[Molex Connector Corporation](#)
[0847290001](#)

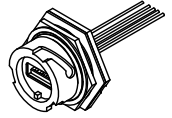
For any questions, you can email us directly:

sales@integrated-circuit.com

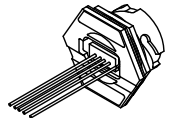
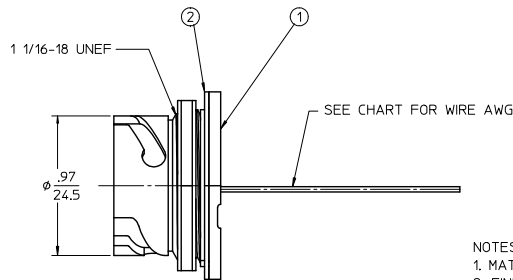
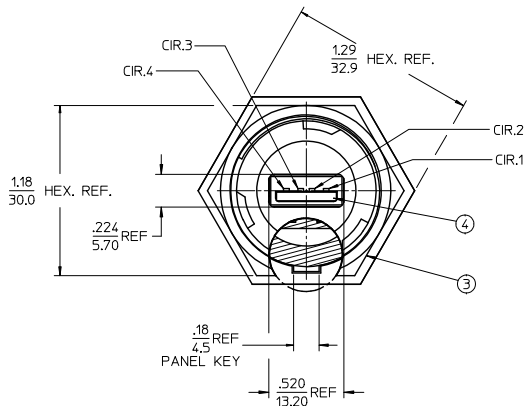
13 12 11 10 9 8 7 6 5 4 3 2 1



P1	WIRING DIAGRAM
1	RED
2	WHITE
3	GREEN
4	BLACK
5	GRAY



AUX.VIEW Y
SCALE: 1:1



AUX.VIEW X
SCALE: 1:1

- NOTES:
 1. MATERIAL: SEE TABLE
 2. FINISHES: SEE TABLE
 3. MATES WITH: INDUSTRY STD. BAYONET LOCKING USB TYPE A
 4. MAX PANEL THICKNESS .10

ITEM	QTY.	DESCRIPTION	MATERIAL	FINISH
4	1	USB RECEPTACLE, WITH WIRES	VENDOR SPEC.	NI PLATED CONTACTS
3	1	LOCK-NUT	PA	BLACK
2	1	GASKET SEAL	SEE CHART	SEE CHART
1	1	USB RECEPTACLE, PANEL MOUNT	PBT	BLACK

ADD PN 847290029 EC NO: 1FG20/4-1746 DRW: R. STONE 2014/04/10 CHK: R. ROBERT 2014/04/23 APPR: J. MURPHY 2014/07/01	QUALITY SYMBOLS ▽=0 ▽=0	GENERAL TOLERANCES (UNLESS SPECIFIED) mm INCH 4 PLACES ± .005 ± .0005 3 PLACES ± .01 ± .001 2 PLACES ± 0.13 ± .01 1 PLACE ± 0.3 ± .01 ANGULAR ± 1/2°	DIMENSION STYLE IN/MM	SCALE 2:1	DESIGN UNITS INCH	THIRD ANGLE PROJECTION	
		DRAWN BY R. STONE	DATE 05-12-06	TITLE USB-A RECEPTACLE WITH WIRES			
		CHECKED BY R. DEROSS	DATE 06-01-05	APPROVED BY R. DEROSS			
		DATE 06-01-05	MATERIAL NO. SD-84729-005 DOCUMENT NO. SD-84729-005 SHEET NO. 1 OF 1				

1b_frame_C_P_AM_T Rev. D 2004/06/28 12 11 10 9 8 7 6 5 4 3 2 1

THIS DRAWING CONTAINS INFORMATION THAT IS PROPRIETARY TO MOLEX INCORPORATED AND SHOULD NOT BE USED WITHOUT WRITTEN PERMISSION