

Excellent Integrated System Limited

Stocking Distributor

Click to view price, real time Inventory, Delivery & Lifecycle Information:

[TDK Corporation](#)
[DEA162450BT-1210A1](#)

For any questions, you can email us directly:

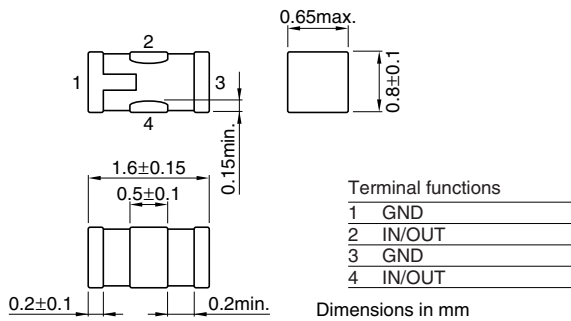
sales@integrated-circuit.com

Multilayer Chip Band Pass Filters For Bluetooth & 2.4GHz W-LAN

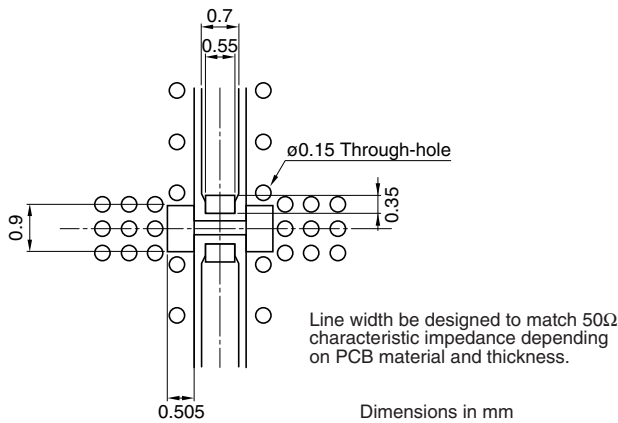
Conformity to RoHS Directive

DEA Series DEA162450BT-1210A1

SHAPES AND DIMENSIONS



RECOMMENDED PC BOARD PATTERNS

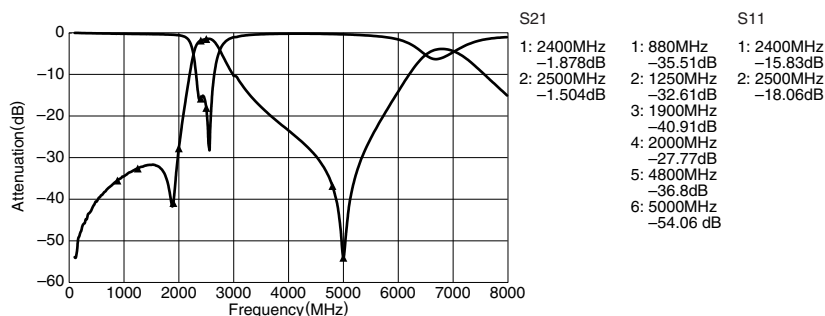


ELECTRICAL CHARACTERISTICS

Item		Minimum value	Typical value	Maximum value
Center frequency	[2450MHz]			
Insertion loss	[25°C]			3.0
	[-40 to +85°C]			3.3
Return loss	[2400 to 2500MHz]	7		
	[880 to 915MHz]	32		
Attenuation	[915 to 1250MHz]	30		
	[1710 to 1900MHz]	30		
	[1900 to 2000MHz]	20	24	
	[4800 to 5000MHz]	25		
Temperature range	Operating	-40		+85
	Storage	-40		+85

• Ta: +25°C

FREQUENCY CHARACTERISTICS



• Conformity to RoHS Directive: This means that, in conformity with EU Directive 2002/95/EC, lead, cadmium, mercury, hexavalent chromium, and specific bromine-based flame retardants, PBB and PBDE, have not been used, except for exempted applications.