

## Excellent Integrated System Limited

Stocking Distributor

Click to view price, real time Inventory, Delivery & Lifecycle Information:

[BUD Industries, Inc.](#)  
[CN-5712](#)

For any questions, you can email us directly:

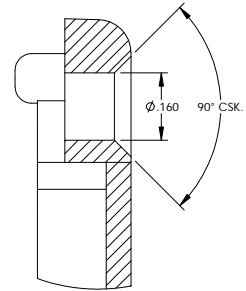
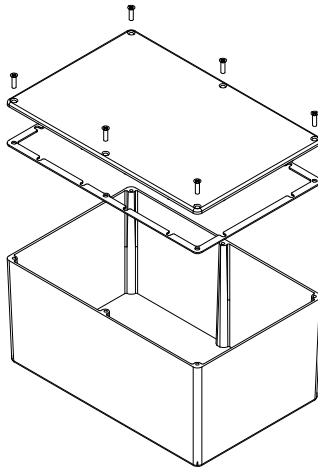
[sales@integrated-circuit.com](mailto:sales@integrated-circuit.com)

THE INFORMATION CONTAINED IN THIS DRAWING IS THE SOLE PROPERTY OF BUD INDUSTRIES INC. ANY REPRODUCTION IN PART OR WHOLE WITHOUT THE WRITTEN PERMISSION OF BUD INDUSTRIES INC. IS PROHIBITED.

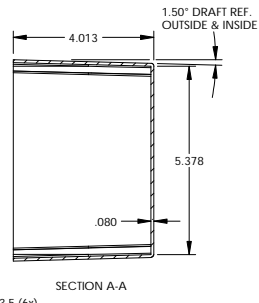
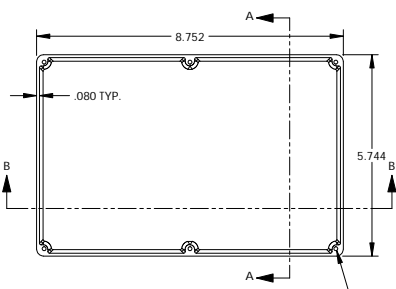
ISSUE		CN-5712	
REVISIONS			

MATERIAL - ALUMINUM ALLOY #ADC-12  
 FINISH - NATURAL (CONTACT BUD FACTORY FOR ALTERNATE FINISHES)  
 GASKET - RATED IP65 NEOPRENE, SELF-ADHESIVE, 3mm THICK, COLOR BLACK  
 SCREWS - STAINLESS STEEL M3.5 x 12mm LG., CSK. HEAD, SELF-THREADING

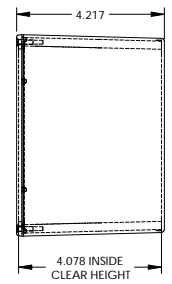
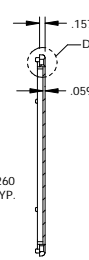
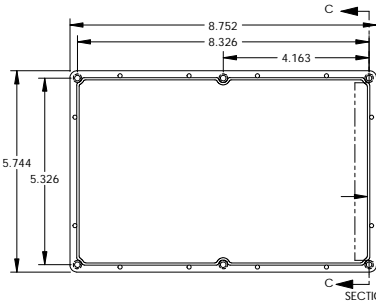
ALL HOLE DIAMETERS HAVE ±.005 TOLERANCE.  
 ALL OTHER DIMENSIONS HAVE ±.015 TOLERANCE.  
 ENCLOSURES ARE SHIPPED UNASSEMBLED WITH ALL ITEMS SHOWN.



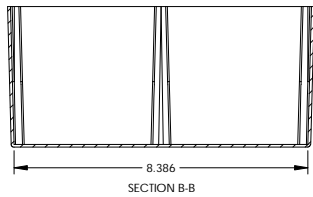
DETAIL D  
SCALE 6:1



SECTION A-A  
BODY



SECTION C-C  
COVER



SECTION B-B

QTY		USED ON		DO NOT SCALE DRAWING	

PARTS LIST			
✓.005 BETWEEN HOLE CENTERS	✓.010 BETWEEN HOLE EDGES	✓.010 FROM A BENT SURFACE	✓.010 BETWEEN ASSEMBLED SURFACES
✓.005 BETWEEN HOLE CENTERS	✓.010 BETWEEN HOLE EDGES	✓.010 FROM A BENT SURFACE	✓.010 BETWEEN ASSEMBLED SURFACES
APPROVED	DATE	APPROVED	DATE
AS NOTED		DAB	3-31-06
AS NOTED			
DESIGNED BY	CHECKED BY	SCALE	DATE

BUD INDUSTRIES INC.	
DIE CAST ALUMINUM ENCLOSURE	
REV: 1	CN-5712
SCALE	DATE