

## Excellent Integrated System Limited

Stocking Distributor

Click to view price, real time Inventory, Delivery & Lifecycle Information:

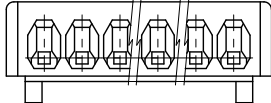
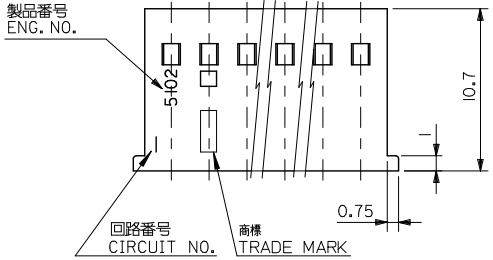
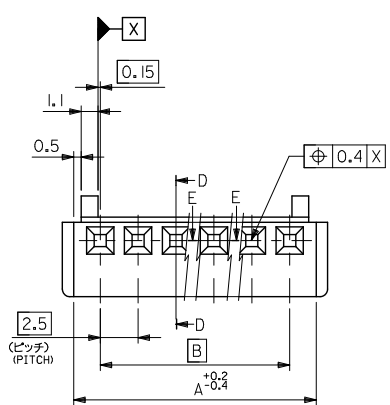
[Molex Connector Corporation](#)

[22-01-1134](#)

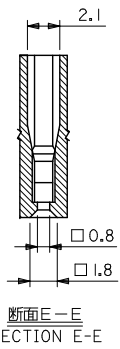
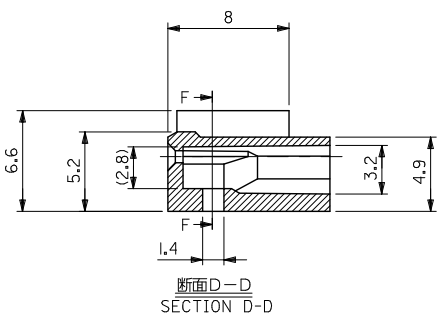
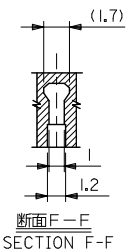
For any questions, you can email us directly:

[sales@integrated-circuit.com](mailto:sales@integrated-circuit.com)

10 9 8 7 6 5 4 3 2 1



**材料 MATERIAL**  
ナイロン66, UL94V-0  
NYLON66, UL94V-0



**注記 NOTE**  
使用ターミナル: ENG. NO. 5103\*  
APPLICABLE TERMINAL: ENG. NO. 5103\*

47.5	51	22-01-1204	5102-20	20
45	48.5	-1194	-19	19
42.5	46	-1184	-18	18
40	43.5	-1174	-17	17
37.5	41	-1164	-16	16
35	38.5	-1154	-15	15
32.5	36	-1144	-14	14
30	33.5	-1134	-13	13
27.5	31	-1124	-12	12
25	28.5	-1114	-11	11
22.5	26	-1104	-10	10
20	23.5	-1094	-09	9
17.5	21	-1084	-08	8
15	18.5	-1074	-07	7
12.5	16	-1064	-06	6
10	13.5	-1054	-05	5
7.5	11	-1044	-04	4
5	8.5	-1034	-03	3
2.5	6	22-01-1024	5102-02	2
B	A	EDP. NO.	ENG. NO.	NO. OF EXTS.

<b>REVISED</b> IEC NO. J2012-0647 2011/11/30 DRW: NESATO 2011/11/30 CHK: OKASAKAWA 2011/11/30 APPR: YOTO 2011/11/30	GENERAL TOLERANCES (UNLESS SPECIFIED)	DIMENSION STYLE MM ONLY	SCALE 4:1	DESIGN UNITS METRIC	THIRD ANGLE PROJECTION	
	10 UNDER ± 0.2 10 OVER 30 UNDER ± 0.25 30 OVER ± 0.3	DRAWN BY H. IJIMA DATE 1996/07/05	TITLE MINI SPOX HSG			
	ANGULAR ± 3° DRAFT WHERE APPLICABLE MUST REMAIN WITHIN DIMENSIONS	CHECKED BY M. FUKUSHIMA DATE 1996/07/05	MOLEX INCORPORATED			
	SEE CHART	APPROVED BY M. ENOMOTO DATE 1996/07/05	MATERIAL NO. SD-5102-001	DOCUMENT NO.	SHEET NO. 1 OF 1	