



Excellent Integrated System Limited

Stocking Distributor

Click to view price, real time Inventory, Delivery & Lifecycle Information:

[Visual Communications Company, LLC](#)
[HLMP3750A](#)

For any questions, you can email us directly:

sales@integrated-circuit.com

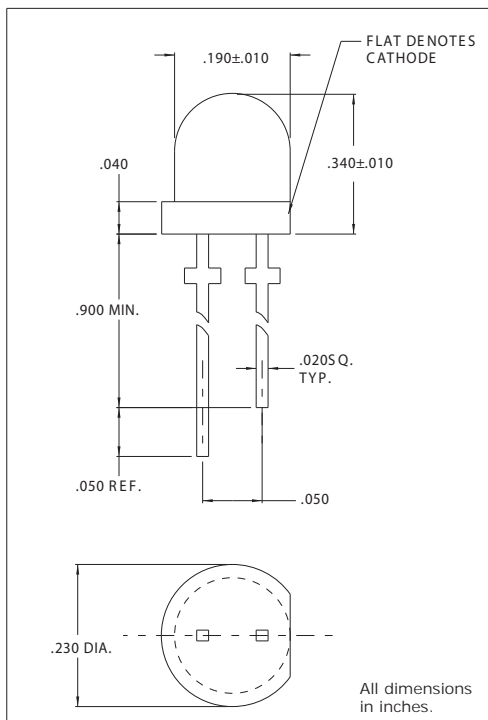
147 Central Avenue
 Hackensack, New Jersey 07601
 Tel: 201-489-8989 • Fax: 201-489-6911



CHICAGO MINIATURE LAMP, INC.
 WHERE INNOVATION COMES TO LIGHT

T-1 3/4 Ultrabright LED Lamps

DESCRIPTION AND FEATURES



The Ultrabright HLMP3X50 series are direct pin for pin replacements for Hewlett Packard's HLMP3X50 series. These LED lamps provide a very narrow viewing angle in a clear tinted non-diffused package and are excellent for small area backlighting. A pale tint aids in identification. The High Efficiency Red and Yellow lamps are produced with GaAsP/GaP and the High Efficiency Green lamp is produced with GaP/GaP. All feature an 80 mcd minimum luminous intensity.

ELECTRO-OPTICAL CHARACTERISTICS AND RATINGS

PART NUMBER	HLMP3750	HLMP3850	HLMP3950
Output Color	H.E.Red	Yellow	H.E.Green
Package Type	Tint N.D.	Tint N.D.	Tint N.D.
Package Color	Clear	Clear	Clear
Test Current (mA)	20	20	20
Forward Voltage Typ. (V)	2.2	2.2	2.2
Forward Voltage Max. (V)	3.0	3.0	3.0
Luminous Intensity Min. (mcd)	80.0	80.0	80.0
Luminous Intensity Typ. (mcd)	150.0	150.0	150.0
Luminous Intensity Max. (mcd)	-	-	-
Peak Wavelength (nm)	635	585	565
Viewing Angle 2θ 1/2 (degrees)	24	24	24
Power Dissipation (mW)	135	85	135
Operating Temperature (°C)	-55 to +100	-55 to +100	-55 to +100
Storage Temperature (°C)	-55 to +100	-55 to +100	-55 to +100
Peak Forward Current Max. (1µs @ 0.3% duty cycle) (mA)	90	60	90
Reverse Voltage (IR=100µA) (V)	5	5	5
Lead Solder Time @ 260°C	5	5	5

Chicago Miniature Lamp reserves the right to make specification revisions that enhance the design and/or performance of the product