

Excellent Integrated System Limited

Stocking Distributor

Click to view price, real time Inventory, Delivery & Lifecycle Information:

[Energizer Battery Company](#)
[357-303HVZ](#)

For any questions, you can email us directly:

sales@integrated-circuit.com

PRODUCT DATASHEET



1-800-383-7323 USA/CAN
www.energizer.com

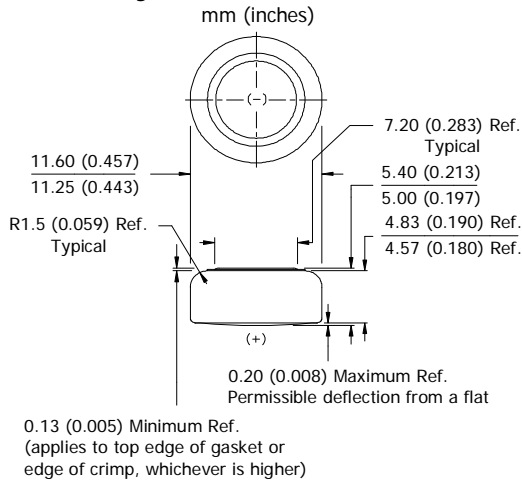
ENERGIZER 357/303H

ZEROMERCURY

SILVER OXIDE



Industry Standard Dimensions



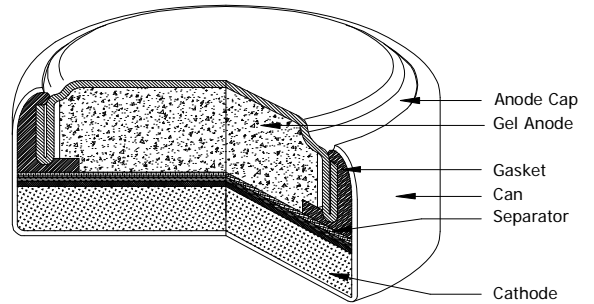
DESIGNED FOR USE ON CONTINUOUS LOW DRAIN
HIGH PULSE ON DEMAND

Specifications

- Chemical System:** Silver Oxide (Zn/Ag₂O)
- Designation:** ANSI-1131SO, IEC-SR44
- Nominal Voltage:** 1.55 Volts
- Typical Capacity:** 195 mAh* (to 1.2 volts)
- Capacity Test:** 6.8K ohm continuous drain at 21°C
- Typical Weight:** 2.3 grams (0.08 oz.)
- Typical Volume:** 0.57 cubic centimeters (0.035 cubic inch)
- Impedance (40 Hz):** 2 to 8 ohms

* Varies according to the applied load, temperature, and cutoff voltage.

Cross Section



Typical Discharge Characteristics

Typical Performance at 21°C (70°F)

Schedule: Continuous
Typical Drain @1.50V:
 0.221 milliamperes
Load: 6.8K ohm

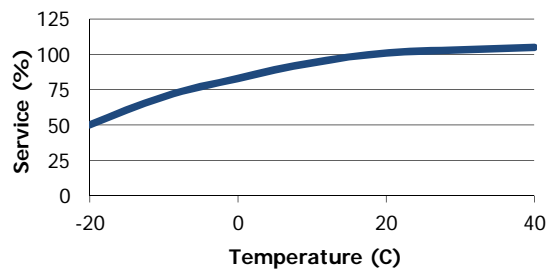


<u>Schedule</u>	<u>Typical Drains</u> at 1.50V (milliamperes)	<u>Load</u> (ohm)	<u>Cutoff</u> 1.2V (hours)
Continuous	0.221	6.8K	884

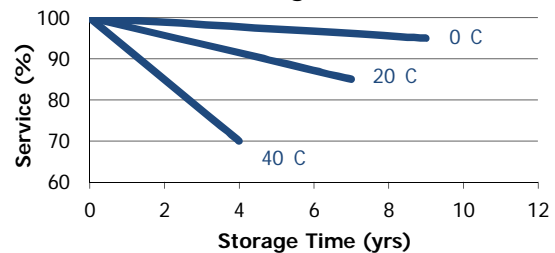
Temperature Characteristics

Typical Performance at Low Discharge Rates

Service Effects



Storage Effects



Important Notice

This datasheet contains typical information specific to products manufactured at the time of its publication.
 ©Energizer Holdings, Inc. - Contents herein do not constitute a warranty.