

## Excellent Integrated System Limited

Stocking Distributor

Click to view price, real time Inventory, Delivery & Lifecycle Information:

[Dialight](#)  
[LK3ELRGB](#)

For any questions, you can email us directly:

[sales@integrated-circuit.com](mailto:sales@integrated-circuit.com)



## LINKLED RGB EDGE-LIT LED LIGHT ENGINE



### FEATURES / BENEFITS

- ▲ Extremely long life of 50,000 hours at 55°C PCB temperature
- ▲ Modular "Plug & Play" system for flexible design in curved or unusually shaped areas.
- ▲ Red, blue and green LEDs allow for infinite number of colors (RGB controller/driver required)
- ▲ Aluminum based PCB for easier heat dissipation and more efficient operation
- ▲ Available Color Kinetics pass through license, consult factory for details

### OPERATING CONDITIONS

- ▲ Recommended PCB temp=55°C (131°F)  
Maximum PCB temp = 105°C (221°F)
- ▲ LED Life @ 55°C PCB temp = 50,000 hours
- ▲ For maximum performance, all "LinkLED" LED Light Engines should be adhered to an appropriate heat sink using adhesive backing (provided)
- ▲ Recommended drivers = Color driver DMX, Color driver RF, or Color driver SL
- ▲ Thermal conductivity = 1.3W/m-k
- ▲ Breakdown voltage = 2kV

### MECHANICAL DIMENSIONS

Length = 32mm (1.26")  
 Width = 28mm (1.10")  
 Height = 8.6mm (0.34")

### APPLICATIONS

- ▲ Retail and lighting
- ▲ Point of sale lighting
- ▲ Back lighting
- ▲ Illuminated shelving
- ▲ Signage display
- ▲ Advertising
- ▲ Any application requiring dynamic color changing, efficiency, and long life to illuminate edge-lit glass and acrylics.

### MATERIALS/FINISH

- ▲ LUXEON® I LEDs
- ▲ 1.6mm Aluminum clad PCB substrate

### PART NUMBERS

Part Number

LK3-EL-RGB

#### Recommended Cables:

CT4-100 = 4 way link lead 100mm (3.9")  
 CT4-200 = 4 way link lead 200mm (7.9")  
 CT4-C = 4 way common connector  
 CDL-M3M = 8 way Molex, male to male  
 CT4-MLXF = 4 way connect to 8 way Molex

Dialight reserves the right to make changes at any time in order to supply the best product possible.

**Dialight Corporation**

1501 Route 34 South • Farmingdale, NJ 07727 USA  
 Tel: (1) 732-919-3119 • Fax: (1) 732-751-5778 • www.dialight.com

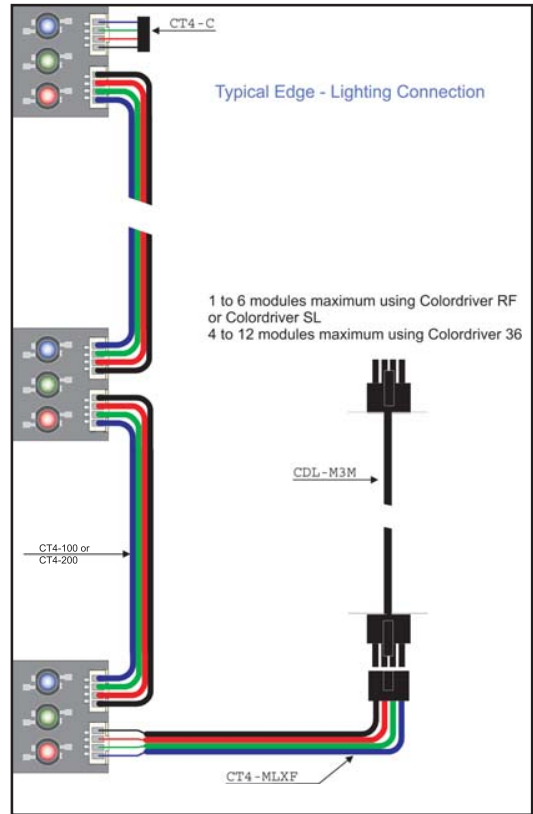


MDEXLKLDRGBEL\_E



# LINKLED RGB EDGE-LIT LED LIGHT ENGINE

## WIRING INFORMATION



## TYPICAL LED PHOTOMETRIC DATA

LED	Color	Forward Voltage (Typ)	Max. Current (mA)	Max. Power (Watts)	Dom Wavelength / CCT			Min Luminous Flux (lm) / Radiometric Power (mW)	Typ Luminous Flux (lm) / Radiometric Power (mW)
					Min	Typ	Max		
	Red	2.95	350	1.03	620.5 nm	627 nm	645 nm	30.6 lm	44 lm
	Green	3.42	350	1.20	520 nm	530 nm	550 nm	30.6 lm	53 lm
	Royal Blue	3.42	350	1.20	440 nm	455 nm	460 nm	145 mW	220 mW

Maximum current input 350mA  
 Maximum power consumption  
 1.2W per LED for White / Blue / Green / Warm White 1.0W per LED for Red / Amber.

Results are LED manufacturer's test data @ 25°C JTC'. Light output at 55°C PCB temperature will be approximately 15-20% lower. Elevated temperatures will result in further degradation of light output. For maximum performance use appropriate heat sinking.

Dialight reserves the right to make changes at any time in order to supply the best product possible.

**Dialight Corporation**  
 1501 Route 34 South • Farmingdale, NJ 07727 USA  
 Tel: (1) 732-919-3119 • Fax: (1) 732-751-5778 • www.dialight.com

