

Excellent Integrated System Limited

Stocking Distributor

Click to view price, real time Inventory, Delivery & Lifecycle Information:

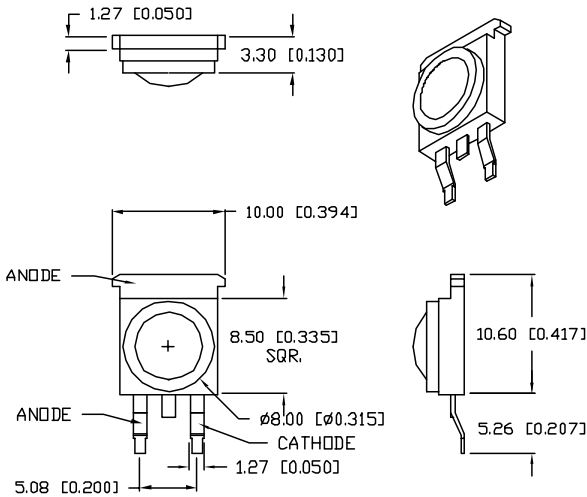
[Lumex, Inc.](#)
[SML-LX1610SYC](#)

For any questions, you can email us directly:

sales@integrated-circuit.com

UNCONTROLLED DOCUMENT

| | | |
|---------------|-------------------------------------|----------|
| PART NUMBER | | REV. |
| SML-LX1610SYC | | A |
| REV. | E.C.N. NUMBER AND REVISION COMMENTS | DATE |
| A | E.C.N. #11391. | 01.16.07 |



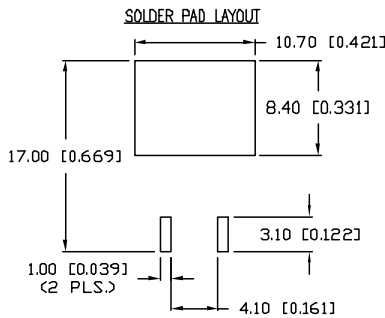
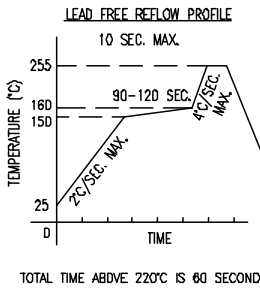
ELECTRO-OPTICAL CHARACTERISTICS $T_A=25^{\circ}\text{C}$ $I_f=350\text{mA}$

| PARAMETER | SYMBOL | MIN | TYP | MAX | UNITS | TEST COND |
|---------------------|-------------|-----|-----|-----|------------|---------------------|
| PEAK WAVELENGTH | | | 592 | | nm | |
| FORWARD VOLTAGE | V_f | | 2.1 | 3.2 | V | $I_f=350\text{mA}$ |
| REVERSE VOLTAGE | V_r | 5 | | | V | $I_r=10\mu\text{A}$ |
| AXIAL INTENSITY(*1) | I_v | | 22 | | lm | $I_f=350\text{mA}$ |
| VIEWING ANGLE | | | 70 | | $2x$ theta | |
| EMITTED COLOR: | YELLOW | | | | | |
| EPOXY LENS FINISH: | WATER CLEAR | | | | | |

LIMITS OF SAFE OPERATION AT 25°C

| PARAMETER | SYMBOL | MAX | UNITS |
|-----------------------|-----------|------------|-------|
| PULSE FORWARD CURRENT | I_p | 400 | mA |
| STEADY CURRENT | I_F | 350 | mA |
| POWER DISSIPATION | P_D | 1.1 | W |
| OPERATING TEMP. | T_{OPR} | -20 TO +70 | °C |
| STORAGE TEMP. | T_{STG} | -40 TO +85 | °C |

*DUTY 1/10 PULSE WIDTH 10ms



CAUTION: STATIC SENSITIVE DEVICE
 FOLLOW PROPER E.S.D. HANDLING PROCEDURES
 WHEN WORKING WITH THIS PART.



NOTES:

1. 50 PCS. IN EACH TUBE.

UNCONTROLLED DOCUMENT

*UNLESS OTHERWISE SPECIFIED TOLERANCES PER DECIMAL PRECISION ARE: X=±1 (±0.039), XX=±0.5 (±0.020), XXX=±0.25 (±0.010), XXXX=±0.127 (±0.005), LEAD SIZE=±0.06 (±0.002), LEAD LENGTH=±0.75 (±0.030), MIN=+DECIMAL PRECISION -0.00, MAX.=+0.00 -DECIMAL PRECISION

| | | | |
|--|------------------------------|--|--|
| REV. A | PART NUMBER SML-LX1610SYC | <p>CONFIDENTIAL INFORMATION THE INFORMATION CONTAINED IN THIS DOCUMENT IS THE PROPERTY OF LUMEX INC. EXCEPT AS SPECIALLY AUTHORIZED IN WRITING BY LUMEX INC., THE HOLDER OF THIS DOCUMENT SHALL KEEP ALL INFORMATION CONTAINED HEREIN CONFIDENTIAL AND SHALL PROTECT SAME IN WHOLE OR IN PART FROM DISCLOSURE AND DISSEMINATION TO ALL THIRD PARTIES.</p> <p>RELIABILITY NOTE OUR MANY YEARS OF EXPERIENCE DATA ACCUMULATION INDICATE THAT SOLDER HEAT IS A MAJOR CAUSE OF EARLY AND FUTURE FAILURE. PLEASE PAY ATTENTION TO YOUR SOLDERING PROCESS.</p> | <p>290 E. HELEN ROAD PALATINE, IL 60067-6976 PHONE: +1.847.359.2790 US WEB: www.lumex.com TW WEB: www.lumex.com.tw</p> |
| 10.60 x 10mm HIGH POWER LED, 590nm YELLOW LED. | | DRAWN BY: JC CHECKED BY: APPROVED BY: | DATE: 8.31.06 PAGE: 1 OF 1 SCALE: N/A |