

Excellent Integrated System Limited

Stocking Distributor

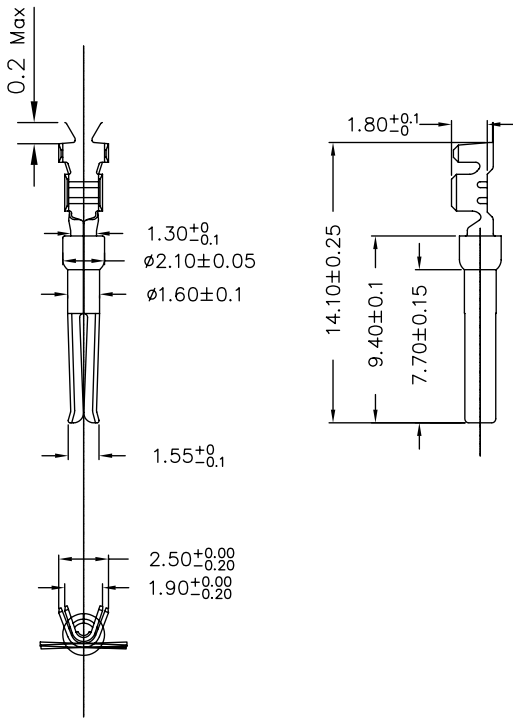
Click to view price, real time Inventory, Delivery & Lifecycle Information:

[Amphenol Commercial Products](#)

[L17-RR-D1-F-01-100](#)

For any questions, you can email us directly:

sales@integrated-circuit.com



TECHNICAL DATA

D-SUBMINIATURE CONNECTORS

Contact : Phosphor bronze

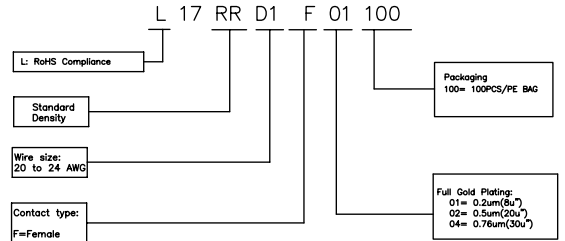
Wire Size : AWG 20 to 24

Electrical

Contact Resistance :

10 milli-ohms Max. mated

PRODUCT CODE



Amphenol Socapex

TOL. GEN. : +/-0.30
VOLUME:
AREA:
PLATING:
TREATMENT:
MATERIAL:

SERIES	FILE:	CUSTOMER	MODIFICATIONS	DRAW	DATE	APPROVE	IND.
NUMBER SERIES L17 RR Series	DESIGNATION Standard Density Crimp Contact Socket	origin drawing	Roger	10/09/06	Lik	B	
DATE 2006.10.09		INTERNAL PART NUMBER L17RRD1F01100					