

## Excellent Integrated System Limited

Stocking Distributor

Click to view price, real time Inventory, Delivery & Lifecycle Information:

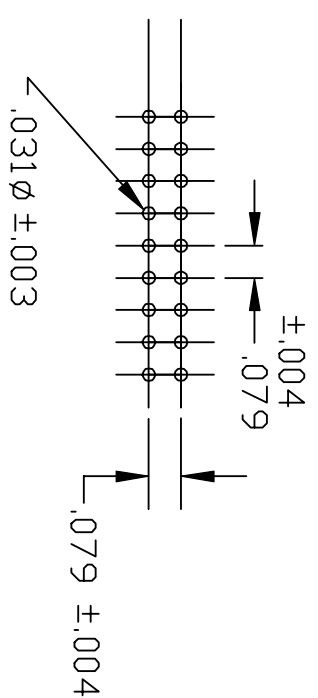
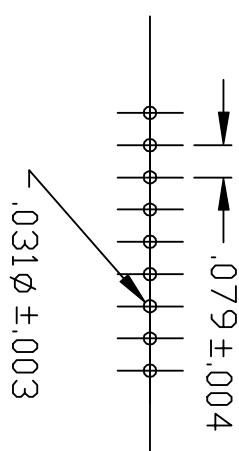
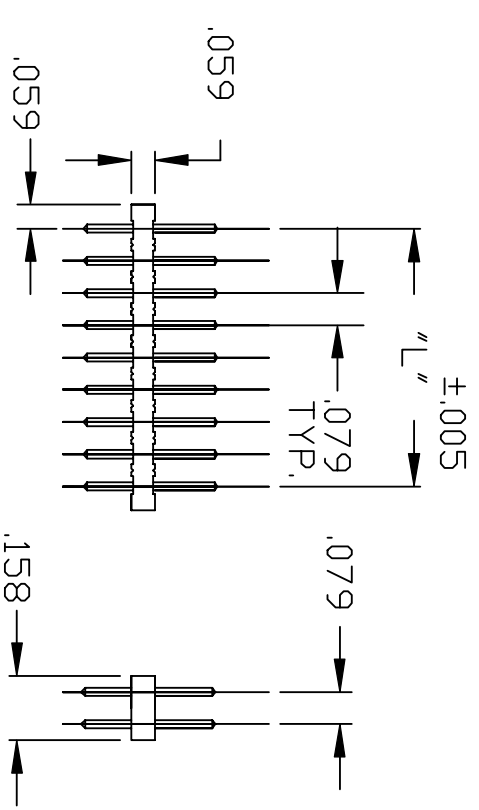
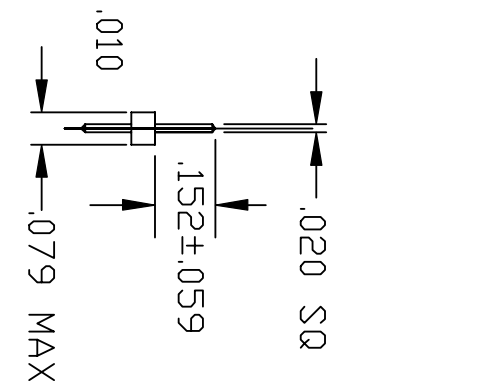
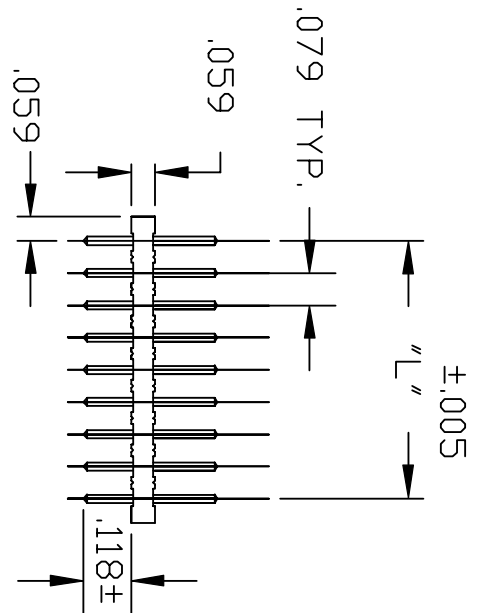
[NorComp](#)  
[2163-36-01-P2](#)

For any questions, you can email us directly:

[sales@integrated-circuit.com](mailto:sales@integrated-circuit.com)

DESCRIPTION: 2mm HEADER STRIP STRAIGHT


"L" = NO. OF PINS/ROW X .079 - .079



SERIES \_\_\_\_\_  
 2163 = SINGLE ROW  
 2164 = DUAL ROW  
 POSITIONS \_\_\_\_\_  
 SINGLE - INCREMENTS OF 1  
 DUAL = INCREMENTS OF 2  
 TYPE \_\_\_\_\_  
 01 = STRAIGHT  
 PLATING \_\_\_\_\_  
 P2 = 15u" GOLD MATING AREA  
 TIN/LEAD TAILS

216X-XX-01-XX

MATERIALS:  
 HOUSING: GLASS FILLED THERMOPLASTIC UL 94V-0  
 COLOR: BLACK  
 CONTACTS: DRAWN PHOSPHOR BRONZE 3./ HARD

	THESE DRAWINGS AND SPECIFICATIONS ARE THE PROPERTY OF NorComp AND SHALL NOT BE REPRODUCED, COPIED OR USED AS THE BASIS FOR THE MANUFACTURE OF SALE OF APPARATUS WITHOUT WRITTEN PERMISSION.		
	DRAWN: PAM JENKINS	DATE: 5-13-02	
CHECKED:	DATE:		
SCALE:	SHEET 1 OF 1	REV 3	

NorComp

DWG NO. 216X-XX-01-PX