



Distributor of Molex Connector Corporation: Excellent Integrated System Limited
Datasheet of 0471510002 - Connector Receptacle HDMI 19 Position Surface Mount, Right
Angle, Horizontal

Contact us: sales@integrated-circuit.com Website: www.integrated-circuit.com

Excellent Integrated System Limited

Stocking Distributor

Click to view price, real time Inventory, Delivery & Lifecycle Information:

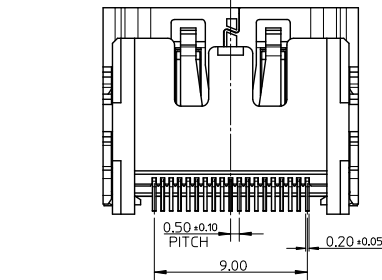
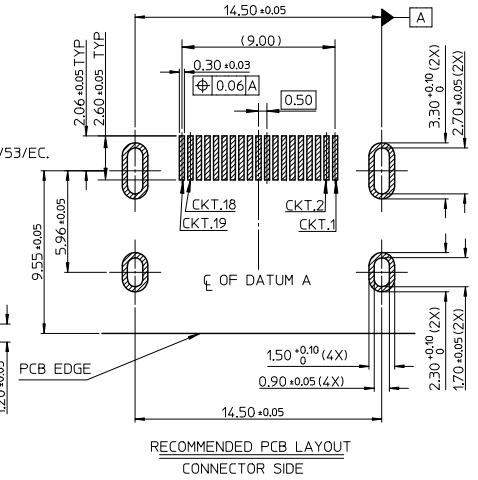
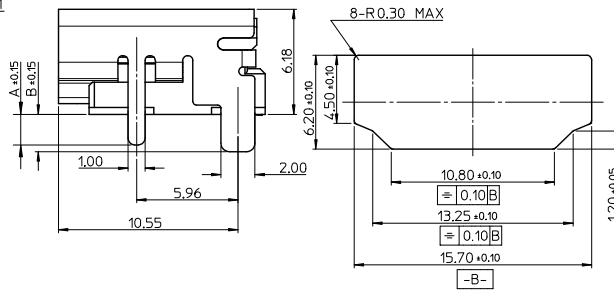
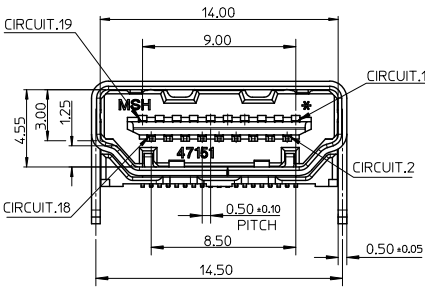
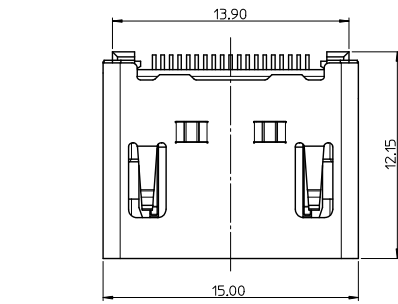
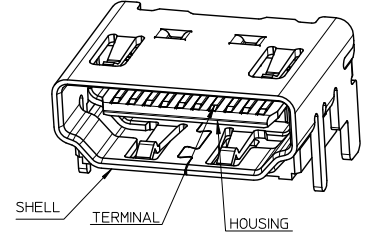
[Molex Connector Corporation](#)
[0471510002](#)

For any questions, you can email us directly:
sales@integrated-circuit.com

Contact us: sales@integrated-circuit.com Website: www.integrated-circuit.com

NOTES:

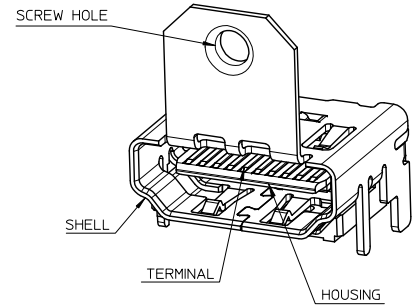
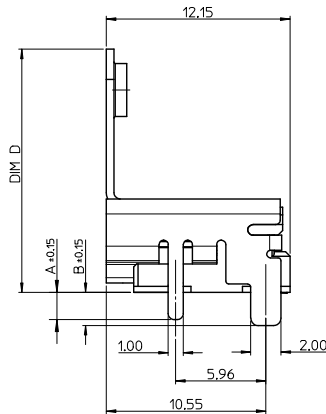
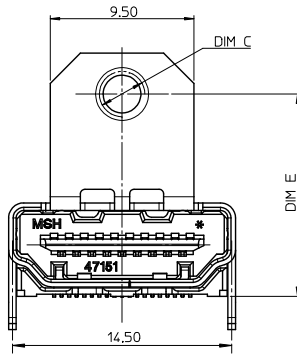
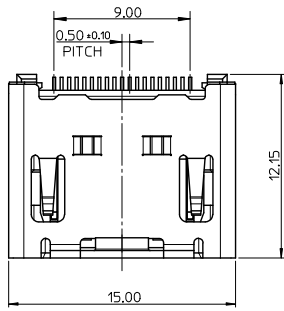
- MATERIAL:
HOUSING: THERMOPLASTIC, GLASS-FILLED, UL 94V-0, COLOR: SEE TABLE.
SHELL: COPPER ALLOY.
TERMINAL: COPPER ALLOY.
- PLATING:
TERMINAL:
CONTACT AREA: (1) 0.76 MICROMETER MIN. GOLD PLATING.
(2) 0.25 MICROMETER MIN. GOLD PLATING.
(3) GOLD FLASH.
(4) 0.375 MICROMETER MIN. GOLD PLATING.
SOLDER AREA: 1 MICROMETER MIN. TIN-BISMUTH ALLOY PLATED.
UNDER PLATE: 1.27 MICROMETER MIN. NICKEL.
SHELL: (a) 1.27 MICROMETER MIN. SOLDERABLE NICKEL PLATE OVERALL.
(b) GOLD FLASH PLATING OVER 1.27 MICROMETER MIN. NICKEL PLATING OVERALL.
- COPLANARITY IS 0.1MM MAX.
- PRODUCT SPECIFICATION REFER TO PS-47152-001.
- PACKAGE SPECIFICATION FOR WITHOUT FLANGE REFER TO PK-47151-001.
- PRODUCT COMPLIANT TO RoHS DIRECTIVE 2011/65/EU AND ELV DIRECTIVE 2000/53/EC.



RECOMMENDED PANEL CUT OUT DIMENSION

REVISE NOTE EC NO: S2014-0536 L1 DRW:FC500 CHKD:JTANZ APPR:KHLIM 2013/12/05 2013/12/17 2013/12/20	QUALITY SYMBOLS 	GENERAL TOLERANCES (UNLESS SPECIFIED)		DIMENSION STYLE MM ONLY		SCALE NTS	DESIGN UNITS METRIC	THIRD ANGLE PROJECTION
		mm	INCH	DRAWN BY	DATE	TITLE		
		4 PLACES ±---	±---	RZHANG	2004/07/20	1.0 HDMI RIGHT ANGLE HEADER ASSEMBLY(19 PIN) LEAD FREE		
		3 PLACES ±---	±---	CHECKED BY	DATE			
2 PLACES ±0.25	±---	GRMA	2004/07/20	MATERIAL NO.	DOCUMENT NO.	SHEET NO.		
1 PLACE ±0.25	±---	APPROVED BY	DATE	SEE SHEET 6	SD-47151-001	1 OF 8		
0 PLACE ±	±	YTYAP	2004/07/20	THIS DRAWING CONTAINS INFORMATION THAT IS PROPRIETARY TO MOLEX INCORPORATED AND SHOULD NOT BE USED WITHOUT WRITTEN PERMISSION				

Contact us: sales@integrated-circuit.com Website: www.integrated-circuit.com



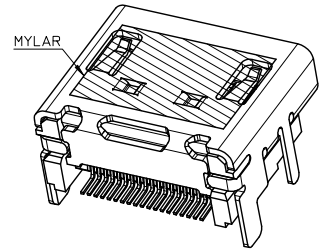
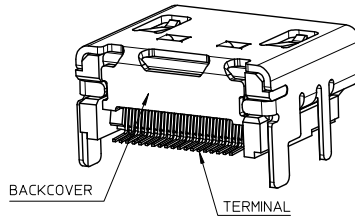
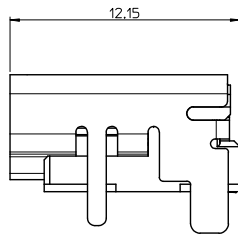
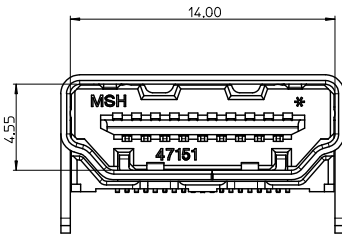
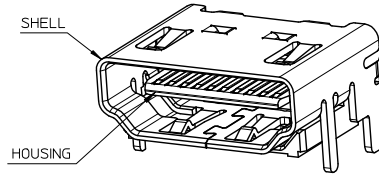
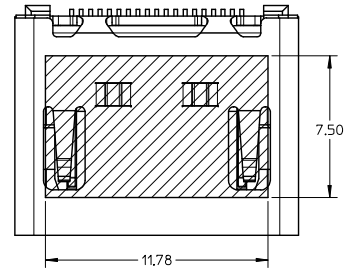
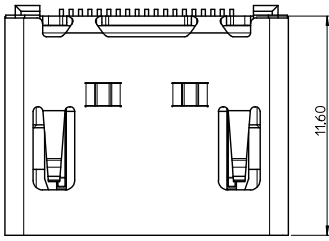
NOTES:

1. THE UNSPECIFIED DIMENSIONS REFER TO SHEET 1.
2. PACKAGE SPECIFICATION FOR WITH FLANGE REFER TO PK-47151-002.

REVISE NOTE EC NO. S2014-0536 DRW/DFCS00 CHKD:JIAN2 APPR:KLLIM	2013/12/05 2013/12/17 2013/12/20	QUALITY SYMBOLS ▽=0 ▽=0 ▽=0	GENERAL TOLERANCES (UNLESS SPECIFIED)		DIMENSION STYLE		SCALE	DESIGN UNITS	THIRD ANGLE PROJECTION	
			mm	INCH	MM ONLY		NTS	METRIC		
			DRAWN BY		DATE	TITLE		1.0 HDMI RIGHT ANGLE HEADER ASSEMBLY(19 PIN) LEAD FREE		
			RZHANG		2004/07/20	SEE SHEET 6				
CHECKED BY		DATE	APPROVED BY		DATE	MATERIAL NO.	DOCUMENT NO.	SHEET NO.		
GRMA		2004/07/20	YTYAP		2004/07/20		SD-47151-001	2 OF 8		
DRAFT WHERE APPLICABLE MUST REMAIN WITHIN DIMENSIONS		SIZE		THIS DRAWING CONTAINS INFORMATION THAT IS PROPRIETARY TO MOLEX INCORPORATED AND SHOULD NOT BE USED WITHOUT WRITTEN PERMISSION						
L1		A3								

Contact us: sales@integrated-circuit.com Website: www.integrated-circuit.com

WITH BACK COVER

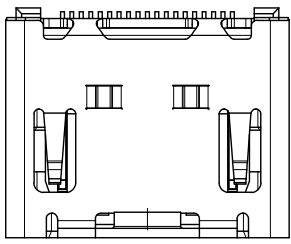


NOTES:

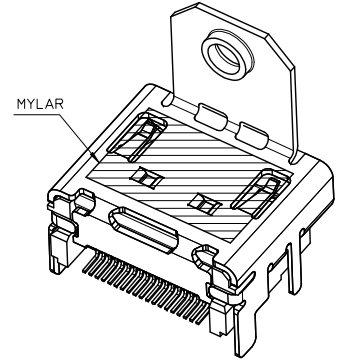
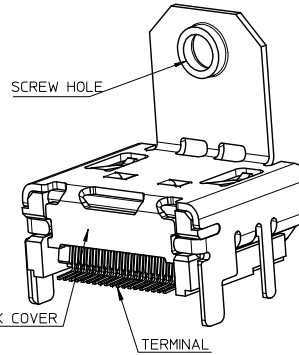
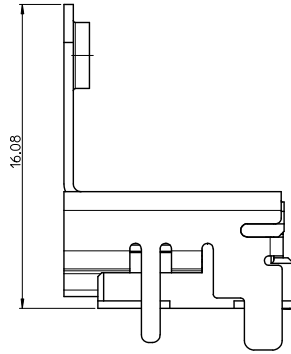
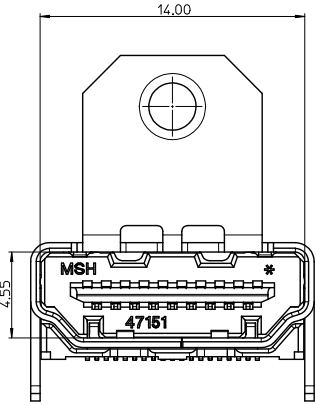
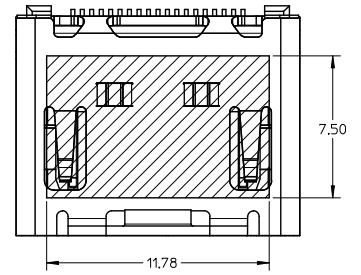
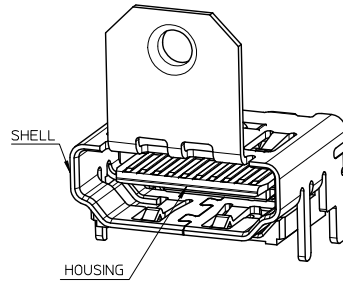
1. THE UNSPECIFIED DIMENSIONS REFER TO 47151-0001.
2. PACKAGE SPECIFICATION FOR WITHOUT FLANGE REFER TO PK-47151-001.

REVISE NOTE EC NO: S2014-0536 DRAWN: FCS00 CHKD: JIANQZ APPR: KELIM	2013/12/05 2013/12/17 2013/12/20	QUALITY SYMBOLS ∇=0 ∇=0 ∇=0	GENERAL TOLERANCES (UNLESS SPECIFIED)		DIMENSION STYLE MM ONLY		SCALE NTS	DESIGN UNITS METRIC	THIRD ANGLE PROJECTION			
			4 PLACES ± --- ± ---	3 PLACES ± --- ± ---	2 PLACES ± 0.25 ± ---	1 PLACE ± 0.25 ± ---	0 PLACE ± ±	DRAWN BY RZHANG	DATE THIS SHEET ONLY FOR 47151-1061/1071/1081 2004/07/20	THIS DRAWING IS ONLY FOR 47151-1061/1071/1081 1.0 HDMI RIGHT ANGLE HEADER ASSEMBLY(19 PIN) LEAD FREE		
			ANGULAR ± 3°		DRAFT WHERE APPLICABLE MUST REMAIN WITHIN DIMENSIONS		MATERIAL NO. SEE SHEET 6	APPROVED BY YTYAP	DATE 2004/07/20	DOCUMENT NO. SD-47151-001	SHEET NO. 3 OF 8	
			THIS DRAWING CONTAINS INFORMATION THAT IS PROPRIETARY TO MOLEX INCORPORATED AND SHOULD NOT BE USED WITHOUT WRITTEN PERMISSION									

Contact us: sales@integrated-circuit.com Website: www.integrated-circuit.com



WITH BACK COVER



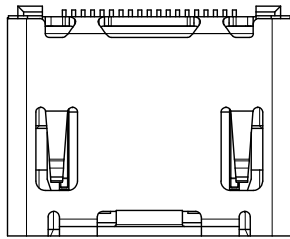
THIS IS ONLY FOR
47151-1025/1075/1085/6022/6032/1026/2062

NOTES:

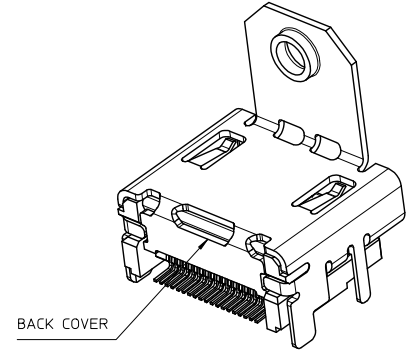
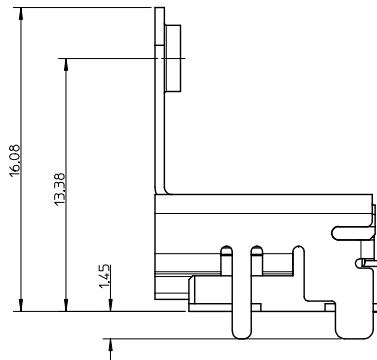
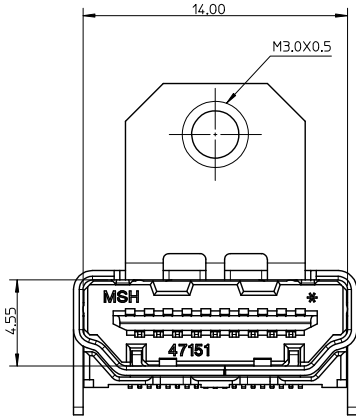
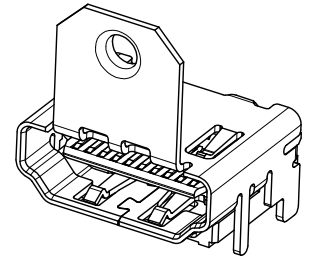
1. THE UNSPECIFIED DIMENSIONS REFER TO 47151-0002.
2. PACKAGE SPECIFICATION FOR WITH FLANGE:
OPTION 1: 47151-1026/2062/6032 REFER TO PK-47151-005,
OPTION 2: 47151-1102 REFER TO PK-47151-003,
OPTION 3: OTHER PART NUMBER REFER TO PK-47151-002.

REVISE NOTE EC NO: S2014-0536 2013/12/05 DRAWN: FCS00 CHECK: JIANZ APPR: XHLIN 2013/12/17 2013/12/20	QUALITY SYMBOLS	GENERAL TOLERANCES (UNLESS SPECIFIED)	DIMENSION STYLE	SCALE	DESIGN UNITS	THIRD ANGLE PROJECTION	
	∇=0 ∇=0 ∇=0	4 PLACES ± --- ± --- 3 PLACES ± --- ± --- 2 PLACES ± 0.25 ± --- 1 PLACE ± 0.25 ± --- 0 PLACE ± ±	MM ONLY	NTS	METRIC	DRAWN BY: RZHANG DATE: 2004/07/20 CHECKED BY: GRMA DATE: 2004/07/20 APPROVED BY: YTYAP DATE: 2004/07/20	TITLE: 1.0 HDMI RIGHT ANGLE HEADER ASSEMBLY(19 PIN) LEAD FREE
	ANGULAR ± 3 ° DRAFT WHERE APPLICABLE MUST REMAIN WITHIN DIMENSIONS	SEE SHEET 6	MATERIAL NO.	DOCUMENT NO.	SHEET NO. 4 OF 8		
	THIS DRAWING CONTAINS INFORMATION THAT IS PROPRIETARY TO MOLEX INCORPORATED AND SHOULD NOT BE USED WITHOUT WRITTEN PERMISSION	SIZE: A3	SD-47151-001				

Contact us: sales@integrated-circuit.com Website: www.integrated-circuit.com



WITHOUT TOP HOLE



- NOTES:
 1. THE UNSPECIFIED DIMENSIONS REFER TO 47151-1102.
 2. PACKAGE SPECIFICATION FOR WITH FLANGE REFER TO PK-47151-002.

REVISE NOTE EC NO. S2014-0536 DRAWN BY: 2013/12/05 CHKD: JIAN2 2013/12/17 APPR: KILIM 2013/12/20	QUALITY SYMBOLS 	GENERAL TOLERANCES (UNLESS SPECIFIED)		DIMENSION STYLE MM ONLY		SCALE NTS	DESIGN UNITS METRIC	THIRD ANGLE PROJECTION	
		4 PLACES ± --- ± ---	mm	INCH	DRAWN BY	DATE	TITLE		
		3 PLACES ± --- ± ---			RZHANG	2004/07/20	1.0 HDMI RIGHT ANGLE HEADER ASSEMBLY(19 PIN) LEAD FREE		
		2 PLACES ± 0.25 ± ---			CHECKED BY	DATE			
1 PLACE ± 0.25 ± ---			GRMA	2004/07/20	MATERIAL NO. SEE SHEET 6	DOCUMENT NO. SD-47151-001			
0 PLACE ± ±			APPROVED BY	DATE	THIS DRAWING CONTAINS INFORMATION THAT IS PROPRIETARY TO MOLEX INCORPORATED AND SHOULD NOT BE USED WITHOUT WRITTEN PERMISSION				
			YTYAP	2004/07/20					
			ANGULAR ± 3 °						
			DRAFT WHERE APPLICABLE MUST REMAIN WITHIN DIMENSIONS						

Contact us: sales@integrated-circuit.com Website: www.integrated-circuit.com

ASSEMBLY P/N	DIMENSION					FEATURE				HOUSING COLOUR	GOLD PLATING IN CONTACT AREA	SHELL PLATING	REMARK
	DIM A	DIM B	DIM C	DIM D	DIM E	FLANGE	BACK COVER	TOP HOLES	MYLAR				
47151-0001	1.80	2.20	/	/	/	W/O	W/O	WITH	W/O	BLACK	SEE NOTE 2 (1)	SEE NOTE 2 (a)	FOR SHEET 1
47151-0041											SEE NOTE 2 (2)		
47151-0051											SEE NOTE 2 (3)		
47151-0011											SEE NOTE 2 (1)		
47151-0071											SEE NOTE 2 (2)		
47151-0061											SEE NOTE 2 (3)		
47151-0021	1.45	1.45	/	/	/	W/O	W/O	WITH	W/O	BLACK	SEE NOTE 2 (1)	SEE NOTE 2 (b)	FOR SHEET 1
47151-0031											SEE NOTE 2 (1)		
47151-0101											SEE NOTE 2 (1)		
47151-0141											SEE NOTE 2 (2)		
47151-0151											SEE NOTE 2 (3)		
47151-0111											SEE NOTE 2 (1)		
47151-0181	1.80	2.20	M3.0X0.5	16.08	13.38	WITH	W/O	WITH	W/O	BLACK	SEE NOTE 2 (1)	SEE NOTE 2 (a)	FOR SHEET 1
47151-0002											SEE NOTE 2 (2)		
47151-0042											SEE NOTE 2 (3)		
47151-0062											SEE NOTE 2 (1)		
47151-0012											SEE NOTE 2 (2)		
47151-0052											SEE NOTE 2 (3)		
47151-0072	1.45	1.45	M3.0X0.5	16.08	13.38	WITH	W/O	WITH	W/O	BLACK	SEE NOTE 2 (1)	SEE NOTE 2 (b)	FOR SHEET 2
47151-0022											SEE NOTE 2 (1)		
47151-0032											SEE NOTE 2 (1)		
47151-0102											SEE NOTE 2 (1)		
47151-0142											SEE NOTE 2 (2)		
47151-0162											SEE NOTE 2 (3)		
47151-0112	1.80	2.20	M3.0X0.5	14.25	11.28	WITH	W/O	WITH	W/O	BLACK	SEE NOTE 2 (1)	SEE NOTE 2 (a)	FOR SHEET 2
47151-0152											SEE NOTE 2 (2)		
47151-0172											SEE NOTE 2 (3)		
47151-0122											SEE NOTE 2 (1)		
47151-0132											SEE NOTE 2 (1)		
47151-6002											1.45		
47151-6062	SEE NOTE 2 (2)												
47151-6082	SEE NOTE 2 (3)												
47151-6102	SEE NOTE 2 (1)												
47151-6172	SEE NOTE 2 (2)												
47151-6162	SEE NOTE 2 (3)												

REVISE NOTE EC NO: S2014-0536 DRAWN BY: 2013/12/05 CHKD: JIAN2 APPR: KILLIM 2013/12/17 2013/12/20	QUALITY SYMBOLS $\sqrt{\text{R}}=0$ $\sqrt{\text{E}}=0$ $\sqrt{\text{D}}=0$	GENERAL TOLERANCES (UNLESS SPECIFIED)		DIMENSION STYLE MM ONLY		SCALE NTS	DESIGN UNITS METRIC	THIRD ANGLE PROJECTION	
		4 PLACES ± --- ± ---	mm	INCH	DRAWN BY	DATE	TITLE		
		3 PLACES ± --- ± ---			RZHANG	2004/07/20	1.0 HDMI RIGHT ANGLE HEADER ASSEMBLY(19 PIN) LEAD FREE		
		2 PLACES ± 0.25 ± ---			CHECKED BY	DATE			
1 PLACE ± 0.25 ± ---			GRMA	2004/07/20	DOCUMENT NO. SD-47151-001				
0 PLACE ± ±			APPROVED BY	DATE	SHEET NO. 6 OF 8				
			YTYAP	2004/07/20	THIS DRAWING CONTAINS INFORMATION THAT IS PROPRIETARY TO MOLEX INCORPORATED AND SHOULD NOT BE USED WITHOUT WRITTEN PERMISSION				
			MATERIAL NO. SEE SHEET 6						
			DRAFT WHERE APPLICABLE MUST REMAIN WITHIN DIMENSIONS						

Contact us: sales@integrated-circuit.com Website: www.integrated-circuit.com

ASSEMBLY P/N	DIMENSION					FEATURE				HOUSING COLOUR	GOLD PLATING IN CONTACT AREA	SHELL PLATING	REMARK		
	DIM A	DIM B	DIM C	DIM D	DIM E	FLANGE	BACK COVER	TOP HOLES	MYLAR						
47151-1001	1.80	2.20	/	/	/	W/O	WITH	WITH	W/O	BLACK		SEE NOTE 2 (a)	FOR SHEET 3		
47151-1041															
47151-1051															
47151-1003															
47151-1061									WITH	BLACK					
47151-1071															
47151-1081									W/O	NATURE					
47151-1011															
47151-1211															
47151-1311															
47151-1021														BLACK	
47151-1091															
47151-1031									NATURE						
47151-1101									1.45	1.45	/			/	/
47151-1141															
47151-1151															
47151-1111															
47151-1161	NATURE														
47151-1171															
47151-1121															
47151-1131															
47151-7102	1.45	1.45	M3.0x0.5	16.08	13.38	WITH	WITH	W/O	W/O	BLACK		SEE NOTE 2 (a)	FOR SHEET 5		
47151-7142															
47151-7162															

REVISE NOTE EC NO: S2014-0536 DRAWN BY: RZ CHKD: JIAN2 APPR: KILLIM 2013/12/05 2013/12/17 2013/12/20	QUALITY SYMBOLS $\sqrt{\text{A}}=0$ $\sqrt{\text{B}}=0$ $\sqrt{\text{C}}=0$	GENERAL TOLERANCES (UNLESS SPECIFIED)		DIMENSION STYLE MM ONLY		SCALE NTS	DESIGN UNITS METRIC	THIRD ANGLE PROJECTION
		4 PLACES ± --- ± ---	3 PLACES ± --- ± ---	DRAWN BY: RZHANG DATE: 2004/07/20	TITLE: 1.0 HDMI RIGHT ANGLE HEADER ASSEMBLY(19 PIN) LEAD FREE			
		2 PLACES ± 0.25 ± ---	1 PLACE ± 0.25 ± ---	CHECKED BY: GRMA DATE: 2004/07/20				
		0 PLACE ± ±	ANGULAR ± 3°	APPROVED BY: YTYAP DATE: 2004/07/20	MATERIAL NO. SEE SHEET 6	DOCUMENT NO. SD-47151-001	SHEET NO. 7 OF 8	
DRAFT WHERE APPLICABLE MUST REMAIN WITHIN DIMENSIONS				THIS DRAWING CONTAINS INFORMATION THAT IS PROPRIETARY TO MOLEX INCORPORATED AND SHOULD NOT BE USED WITHOUT WRITTEN PERMISSION				

Contact us: sales@integrated-circuit.com Website: www.integrated-circuit.com

ASSEMBLY P/N	DIMENSION					FEATURE				HOUSING COLOUR	GOLD PLATING IN CONTACT AREA	SHELL PLATING	REMARK
	DIM A	DIM B	DIM C	DIM D	DIM E	FLANGE	BACK COVER	TOP HOLES	MYLAR				
47151-1002											SEE NOTE 2 (1)	SEE NOTE 2 (a)	FOR SHEET 4
47151-1042									W/O	BLACK	SEE NOTE 2 (2)		
47151-1052											SEE NOTE 2 (3)		
47151-1062											SEE NOTE 2 (4)		
47151-2062	1.80	2.20	M3.0x0.5	16.08	13.38	WITH	WITH	WITH	WITH	BLACK	SEE NOTE 2 (4)		
47151-1012											SEE NOTE 2 (1)		
47151-1072									W/O	NATURE	SEE NOTE 2 (2)		
47151-1082											SEE NOTE 2 (3)		
47151-1022										BLACK	SEE NOTE 2 (1)		
47151-1032										NATURE	SEE NOTE 2 (1)		
47151-1102											SEE NOTE 2 (1)		
47151-1142										BLACK	SEE NOTE 2 (2)		
47151-1152											SEE NOTE 2 (3)		
47151-1112	1.45	1.45	M3.0x0.5	16.08	13.38	WITH	WITH	WITH	W/O		SEE NOTE 2 (1)		
47151-1162										NATURE	SEE NOTE 2 (2)		
47151-1172											SEE NOTE 2 (3)		
47151-1122										BLACK	SEE NOTE 2 (1)		
47151-1132										NATURE	SEE NOTE 2 (1)		
47151-1005											SEE NOTE 2 (1)		
47151-1045									W/O	BLACK	SEE NOTE 2 (2)		
47151-1065											SEE NOTE 2 (3)		
47151-1015											SEE NOTE 2 (1)		
47151-1035	1.80	2.20	4-40	16.08	13.38	WITH	WITH	WITH		NATURE	SEE NOTE 2 (2)		
47151-1055											SEE NOTE 2 (3)		
47151-1025											SEE NOTE 2 (1)		
47151-1075									WITH	BLACK	SEE NOTE 2 (2)		
47151-1085											SEE NOTE 2 (3)		
47151-1026											SEE NOTE 2 (1)		
47151-6012											SEE NOTE 2 (1)		
47151-6042									W/O	BLACK	SEE NOTE 2 (2)		
47151-6052	1.80	2.20									SEE NOTE 2 (3)		
47151-6022			M3.0x0.5	14.25	11.28	WITH	WITH	WITH		BLACK	SEE NOTE 2 (1)		
47151-6032											SEE NOTE 2 (3)		
47151-6112											SEE NOTE 2 (1)		
47151-6142	1.45	1.45							W/O	BLACK	SEE NOTE 2 (2)		
47151-6152											SEE NOTE 2 (3)		

REVISE NOTE EC NO: S2014-0536 DRAWN BY: 2013/12/05 CHKD: JIAN02 APPR: KILLIM 2013/12/17 2013/12/20	QUALITY SYMBOLS $\sqrt{\text{R}}=0$ $\sqrt{\text{P}}=0$ $\sqrt{\text{S}}=0$	GENERAL TOLERANCES (UNLESS SPECIFIED)		DIMENSION STYLE		SCALE	DESIGN UNITS	THIRD ANGLE PROJECTION	
				MM ONLY		NTS	METRIC		
				DRAWN BY: RZHANG		DATE: 2004/07/20	TITLE: 1.0 HDMI RIGHT ANGLE HEADER ASSEMBLY(19 PIN) LEAD FREE		
				CHECKED BY: GRMA		DATE: 2004/07/20	APPROVED BY: YTYAP		
		ANGULAR $\pm 3^\circ$		MATERIAL NO.		DOCUMENT NO.		SHEET NO.	
		DRAFT WHERE APPLICABLE MUST REMAIN WITHIN DIMENSIONS		SEE SHEET 6		SD-47151-001		8 OF 8	
		THIS DRAWING CONTAINS INFORMATION THAT IS PROPRIETARY TO MOLEX INCORPORATED AND SHOULD NOT BE USED WITHOUT WRITTEN PERMISSION							