

Excellent Integrated System Limited

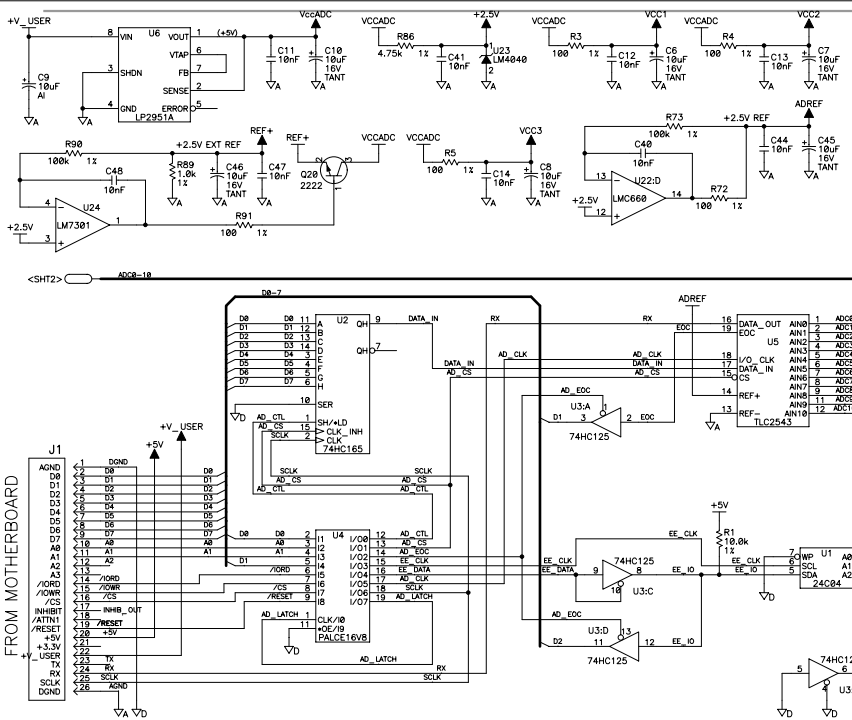
Stocking Distributor

Click to view price, real time Inventory, Delivery & Lifecycle Information:

[Digi International](#)
[20-101-0392](#)

For any questions, you can email us directly:

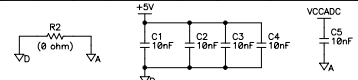
sales@integrated-circuit.com



		REVISION HISTORY		REVISION APPROVAL		
REV	ECO	DESCRIPTION	PROJECT ENGINEER	APPROVAL DATE	DOCUMENT CONTROL	APPROVAL DATE
A	----	PROTOTYPE RELEASE, TRACKS A/W @ REV-A	-----	-----	-----	-----
B	E11217	INITIAL RELEASE TRACK A/W @ REV-B	DM	20NOV00	KIS	11/20/01
C	E11453	CONNECTED /IOWR TO U4, UPDATED FOR SR9320	DM	20MAR01	KIS	3/20/01
D	E11564	CHANGED PE7 TO OUTPUT INHIBIT	DM	28JUN01	KIS	7/17/01

TABLE A

REF DES	DEVICE	DEVICE VOLTAGE INFORMATION							DEVICE FILTER CAP REF DES(s)
		AGND/DGND	+5V	VCC1	VCC2	VCC3	ADREF	VCCADC	NC
U1	24C04	4	8						C1
U2	74HC165	10	20						1,6,11,16
U3	74HC125	7	14						C3
U4	PALCE16V8	10	20					20	C4
U5	TLC2543	10							C5, C44
U6	LP2951A								
U20	LMC660	11		4					C12
U21	LMC660	11		4					C13
U22	LMC660	11		4					C14
U23	LM4848								C41
U24	LM7301	2						5	C11

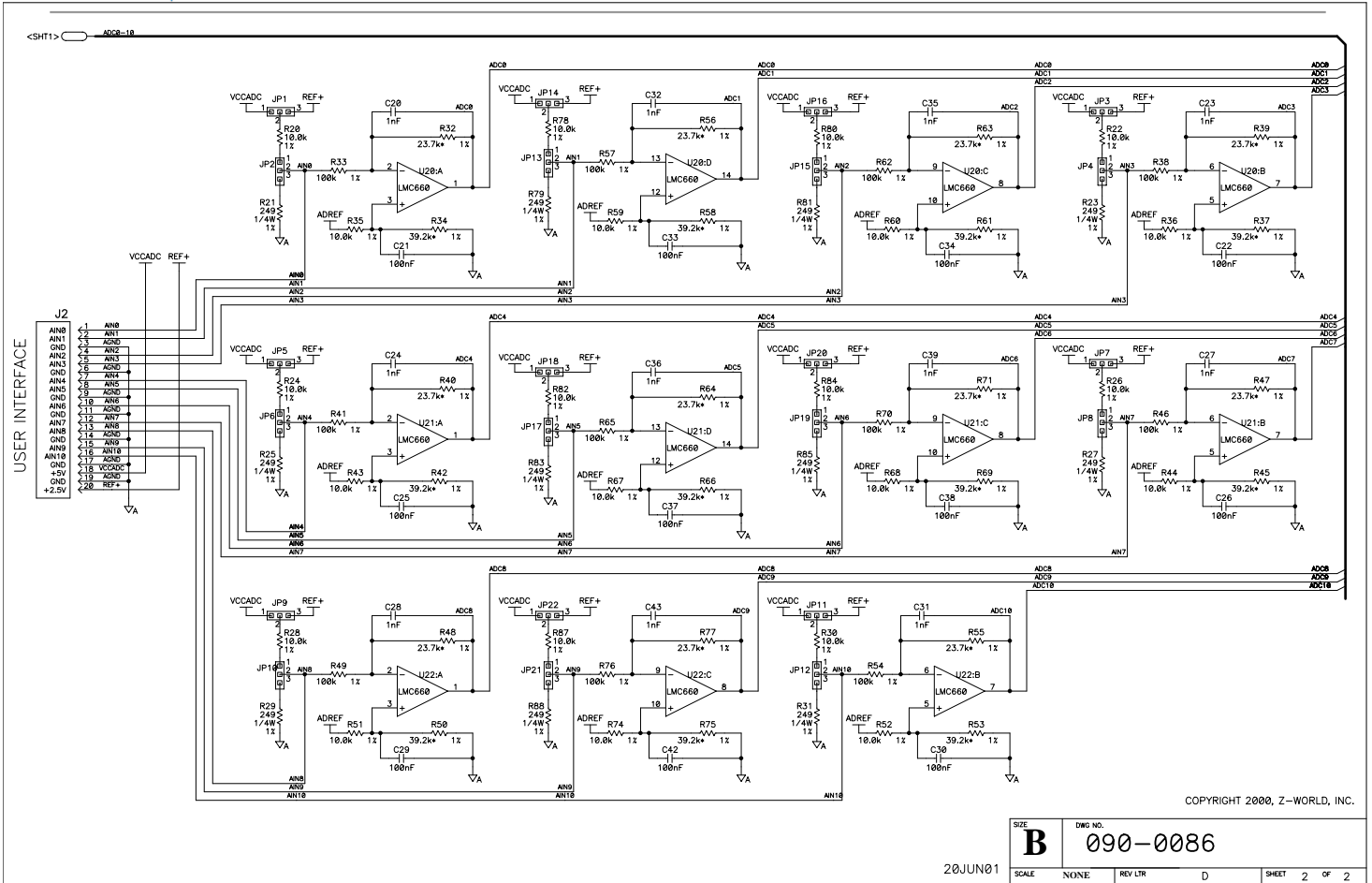


STUFFING TABLE

CIRCUIT	PART	MODEL		
		SR9300	SR9310	SR9320
GAIN RESISTOR	R32,39,40,47,48,55, R56,63,64,71,77	23.7k 1%	12.1k 1%	60.4k 1%
	R34,37,42,45,50,53, R58,61,66,69,75	39.2k 1%	8.06k 1%	32.4k 1%
EXCITATION SELECT OR 4-20mA SELECT	JP2,JP4,JP6,JP8, JP10,JP12,JP13, JP15,JP17,JP19, JP21	NOT INSTALLED	NOT INSTALLED	INSTALLED 2-3
EXCITATION VOLTAGE SELECT	JP1,JP3,JP5,JP7, JP9,JP11,JP14, JP16,JP18,JP20, JP22	NOT INSTALLED	NOT INSTALLED	NOT INSTALLED

- NOTES: UNLESS OTHERWISE SPECIFIED:
- ALL RESISTOR VALUES ARE IN OHMS, 1/10W, 5%
 - ALL CAPACITORS ARE 50VDC OR HIGHER.
 - THE ORIGINATOR SOURCE OF A VOLTAGE IS REPRESENTED BY (VCC), AND ALL REFERENCES TO THAT VOLTAGE ARE REPRESENTED BY (VCC).
 - OUTLINED CIRCUIT MAY NOT BE STUFFED DEPENDING ON MODEL. SEE STUFFING CHART FOR CLARIFICATION.
 - COMPONENT VALUES SHOWN WITH AN ASTERISK (*) FOLLOWING THE VALUE, MAY HAVE DIFFERENT VALUES, OR MAY NOT BE STUFFED DEPENDING ON MODEL. SEE STUFFING CHART FOR CLARIFICATION.

APPEND THE FOLLOWING DOCUMENTS WHEN CHANGING THIS DOCUMENT:		DRAWING CONTENT:		TITLE	Z-WORLD
DRAWN BY: (INITIAL RELEASE)	18JUN99	REVISED BY:	20JUN01		
APPROVALS: INITIAL RELEASE		PROJECT ENGINEER:	Darren Musgrove 7/20/01	SIZE	DWG NO.
ENGINEERING MANAGER:	R. Matthews 7/20/01	SIGNATURES	DATE	B	090-0086
				SCALE	NONE
				RELEASE DATE	
				SHEET	1 OF 2



COPYRIGHT 2000, Z-WORLD, INC.

SIZE	DWG NO.
B	090-0086
SCALE	NONE
REV LTR	D
SHEET	2 OF 2

20JUN01