

Excellent Integrated System Limited

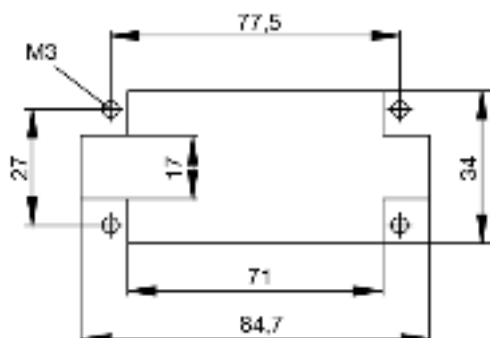
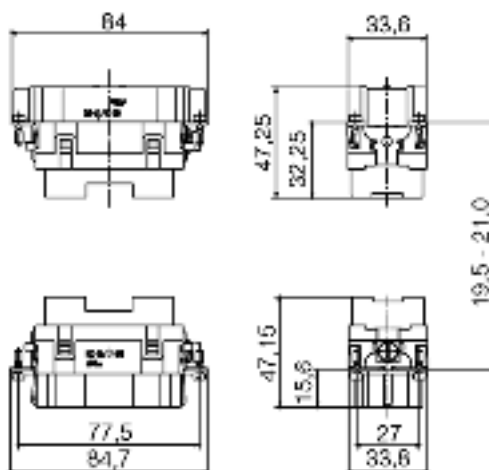
Stocking Distributor

Click to view price, real time Inventory, Delivery & Lifecycle Information:

[Weidmüller](#)
[1790000000](#)

For any questions, you can email us directly:

sales@integrated-circuit.com



General ordering data

Order No.	1790000000
Part designation	HDC S6 12 SAS
Version	HDC insert, Pin, 690 V, 48 A, Poles: 6 + 12 + PE, Axial screw connection, Size: 6
EAN	4032248212064
Qty.	10 pc(s).

Product notes

Note, ordering data	Please note: the signal contacts are designed for a rated voltage of 400V and a rated current of 16A.
Note, accessories	Use spanner size 3 AF for axial screw connection For additional accessories, refer to Accessories chapter.

Dimensions

High plug B	47.25 mm
-------------	----------

Dimensions	
Total length A	84.7 mm
General data	
Colour	beige
Insulating material group	IIIa
Insulation material	PC glass-fibre reinforced (UL-listed and railway-certified)
Insulation resistance	$10^{10} \Omega$
No. of poles, total	6 + 12 + PE
Plugging cycles, silver	≥ 500
Pollution severity	3
Temperature, max.	125 °C
Temperature, min.	-40 °C
UL 94 flammability class	V-0
Size	6
Series	MixMate
Type	Pin
Type designation	S6/12
Connection data PE	
Rated cross-section	10 mm ²
Fixing screw	M 5
Min. tightening torque	2 Nm
Blade size, crosshead	size PZ2
Max. tightening torque	2.5 Nm
Blade size, slotted	SD 0.8 x 4.0
Stripping length	8 mm
Max. connection cross-section, solid	0.5 mm ²
Min. connection cross-section, solid	10 mm ²
Min. connection cross-section, stranded	0.5 mm ²
Connection type PE	Screw connection
Max. connection cross-section, stranded	10 mm ²
Min. connection cross-section "f" with wire end ferrule	0.5 mm ²
Max. connection cross-section "f" with wire end ferrule	10 mm ²
AWG, min.	AWG 14
AWG, max.	AWG 8
Rating data	
Rated voltage (DIN EN 61984)	690 V
Rated current (DIN EN 61984)	48 A
Rated voltage according to UL/CSA	600 V AC/DC
Rated impulse voltage (DIN EN 61984)	8 kV
Version	
Type of connection	Axial screw connection
Min. tightening torque	1.1 Nm
Max. tightening torque	1.7 Nm
Stripping length	8 mm
Material	copper alloy

Version	
Connection cross-section, min.	2.5 mm ²
Connection cross-section, max.	10 mm ²
AWG, min.	AWG 14
AWG, max.	AWG 8
Size	6
Surface finish	Silver passivated
Volume resistance	≤ 4mΩ
Clamping screw	M 5

Approvals	
Approvals institutes	



Classifications	
ETIM 2.0	EC001121
ETIM 3.0	EC001121
eClass 4.1	27-14-08-05
eClass 5.0	27-14-34-19
eClass 5.1	27-14-34-19

Similar products

Order No.	Part designation	Version
1789970000	HDC S4 0 BAS	HDC insert, Socket, 830 V, 80 A, Poles: 4 + 0 + PE, Axial screw connection, Size: 6
1789960000	HDC S4 0 SAS	HDC insert, Pin, 830 V, 80 A, Poles: 4 + 0 + PE, Axial screw connection, Size: 6
1789980000	HDC S4 BAS	HDC insert, Socket, 1000 V, 65 A, Poles: 4 + PE, Axial screw connection, Size: 3
1789990000	HDC S4 SAS	HDC insert, Pin, 1000 V, 65 A, Poles: 4 + PE, Axial screw connection, Size: 3
1790010000	HDC S6 12 BAS	HDC insert, Socket, 630 V, 48 A, Poles: 6 + 12 + PE, Axial screw connection, Size: 6
1790020000	HDC S6 6 BAS	HDC insert, Socket, 690 V, 100 A, Poles: 6 + 6 + PE, Axial screw connection, Size: 8
1790030000	HDC S6 6 SAS	HDC insert, Pin, 690 V, 100 A, Poles: 6 + 6 + PE, Axial screw connection, Size: 8