



Excellent Integrated System Limited

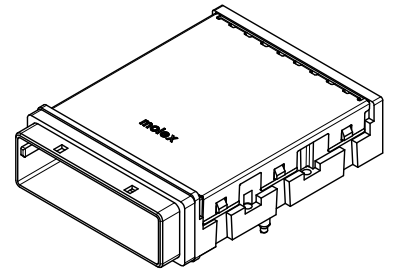
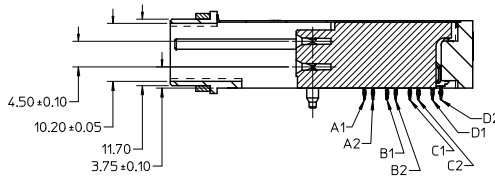
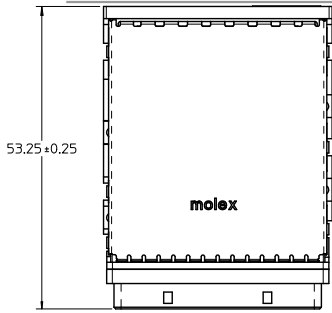
Stocking Distributor

Click to view price, real time Inventory, Delivery & Lifecycle Information:

[Molex Connector Corporation](#)
[75581-0002](#)

For any questions, you can email us directly:

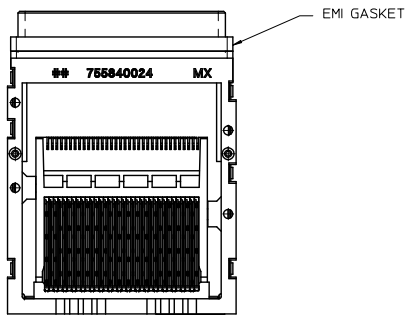
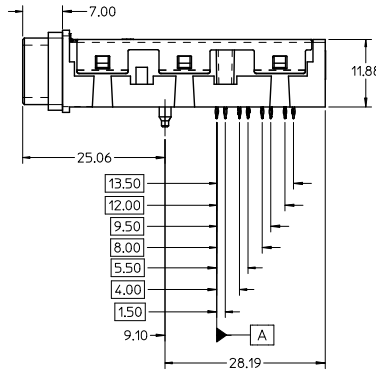
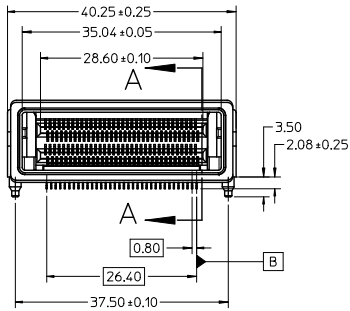
sales@integrated-circuit.com



SECTION A-A

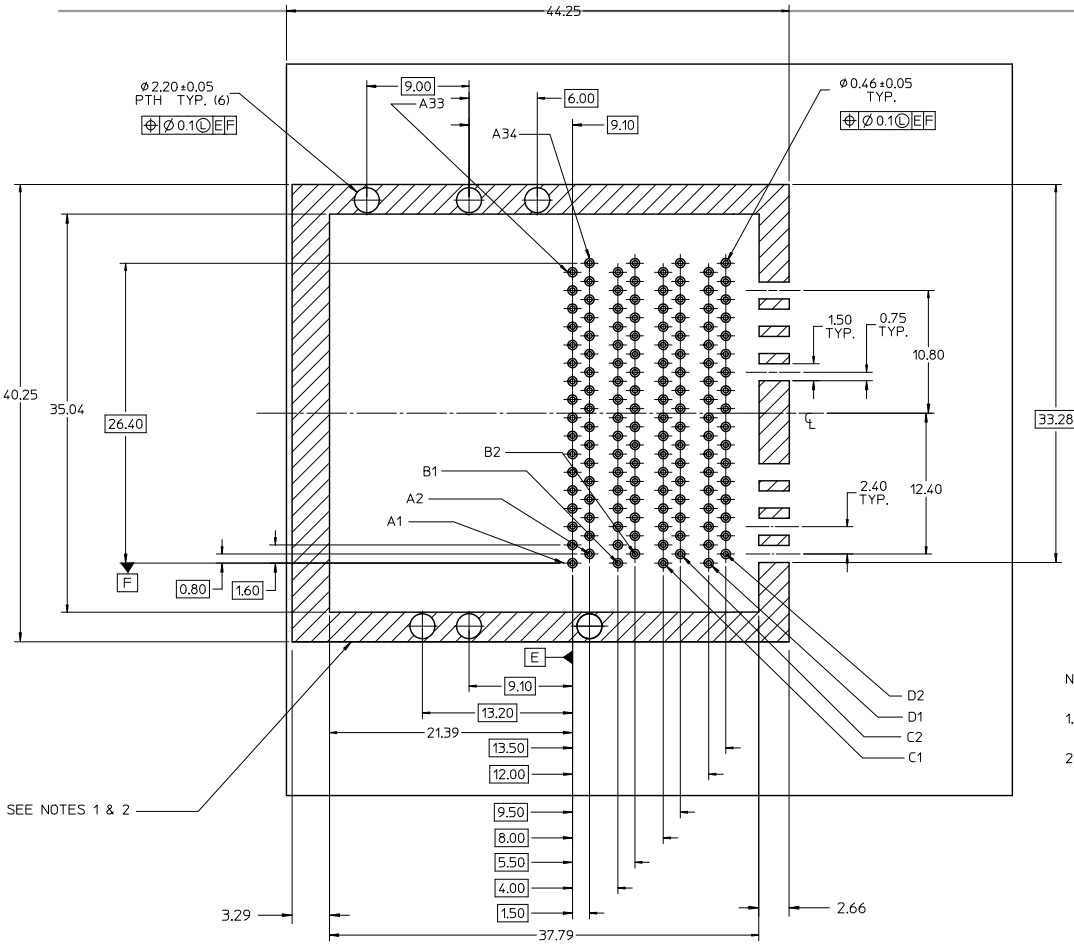
NOTES :

- MATERIALS :
CONNECTOR HOUSING - HIGH TEMP THERMOPLASTIC,
GLASS FILLED, UL94V-0
EMI HOUSING - NICKEL PLATED DIE CAST ALLOY
COVER - STAINLESS STEEL ALLOY
EMI GASKET - CONDUCTIVE POLYMER
- PLATING OPTIONS :
(A) CONTACT AREA - 0.38µm MIN GOLD OVER 2.54 µm MIN NICKEL
(B) CONTACT AREA - 0.76µm MIN GOLD OVER 2.54 µm MIN NICKEL
(C) COMPLIANT TAIL AREA - 0.76 - 1.52 µm TIN/LEAD (90/10) OVER 1.27 µm MIN NICKEL.
(D) COMPLIANT TAIL AREA - 0.76 - 1.52 µm TIN (90/10) OVER 1.27 µm MIN NICKEL.
- PRODUCT SPECIFICATION : PS-75586-001
- THIS CONNECTOR IS DESIGNED TO MATE WITH MOLEX CABLE SERIES 74546.
- PACKAGING SPECIFICATION : TRAY PACK PER PK-75581-001
- MOUNTING HARDWARE REQ'D : M2x8mm CAP SCREWS (4)



| PART NUMBER | CONTACT PLATING | COMPLIANT PLATING |
|-------------|-----------------|----------------------|
| 75581-0001 | A - 0.38µm GOLD | C - 0.76-1.52µm SnPb |
| 75581-0002 | B - 0.76µm GOLD | C - 0.76-1.52µm SnPb |
| 75581-0008 | A - 0.38µm GOLD | D - 0.76-1.52µm Sn |
| 75581-0009 | B - 0.76µm GOLD | D - 0.76-1.52µm Sn |

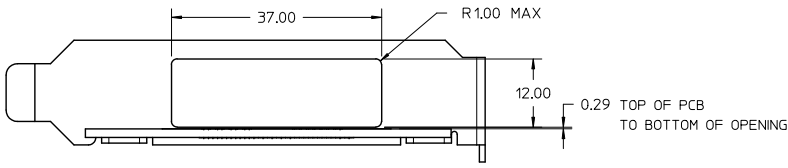
| | | | | | | |
|---|---|---|---|---|------------------------|------------------------|
| #0.25 WAS ±0.13 EC NO: UCP-2011-3507 DR: WINKLANG 2011/04/26 CHK: [blank] APPR: MBANKATIS 2011/07/06 DESCRIPTION REV H1 | QUALITY SYMBOLS ∇=0 ∇=0 | GENERAL TOLERANCES (UNLESS SPECIFIED) mm INCH 4 PLACES ± --- ± --- 3 PLACES ± --- ± --- 2 PLACES ± 0.13 ± --- 1 PLACE ± 0.25 ± --- ANGULAR ± 1/2° | DIMENSION STYLE MM ONLY | SCALE 2:1 | DESIGN UNITS METRIC | THIRD ANGLE PROJECTION |
| | DRAFT WHERE APPLICABLE MUST REMAIN WITHIN DIMENSIONS | | DRAWN BY: KREGNIER CHECKED BY: [blank] DATE: 10/21/04 | TITLE 16X PCIE I-PASS CONNECTOR FAMILY 0.80 MM PITCH I/O | MOLEX INCORPORATED | |
| | MATERIAL NO. [blank] | | APPROVED BY: RNELSON DATE: 10/28/04 | DOCUMENT NO. SD-75581-001 | | SHEET NO. 1 OF 3 |
| | THIS DRAWING CONTAINS INFORMATION THAT IS PROPRIETARY TO MOLEX INCORPORATED AND SHOULD NOT BE USED WITHOUT WRITTEN PERMISSION | | | | | |



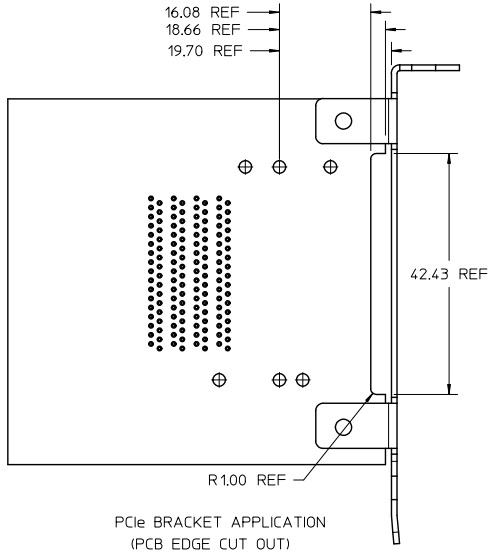
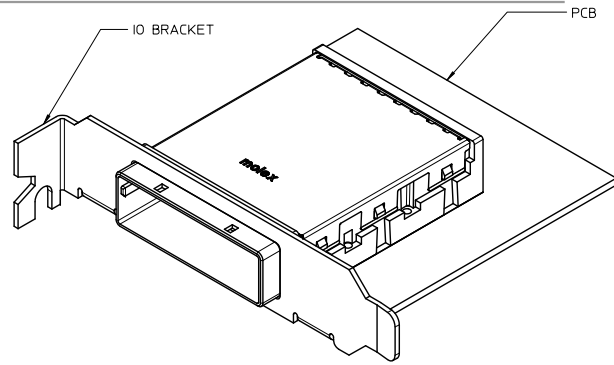
- NOTES :
- CROSS HATCHED AREA TO BE CONDUCTIVE ON THE PCB.
 - CROSS HATCHED AREA MUST BE INCORPORATED IN THE FLAT ROCK PRESS-FIT TOOLING.

RECOMMENDED PCB LAYOUT : COMPONENT SIDE SHOWN
PCB THICKNESS : 1.35mm MIN.

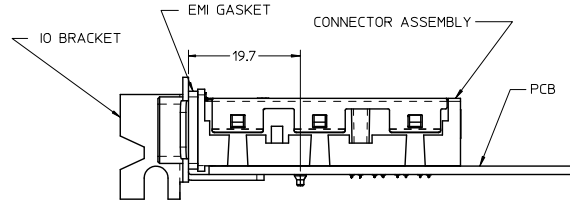
| | | | | | | |
|---|------------------------------|--|---|--------------|--|------------------------|
| SEE SHEET 1 EC NO: UCP2011-3307 DRAWN BY: DRWIKLANG 2011/04/28 CHKD: APPR: HBAKUS 2011/07/06 H1 | QUALITY SYMBOLS | GENERAL TOLERANCES (UNLESS SPECIFIED) | DIMENSION STYLE | SCALE | DESIGN UNITS | THIRD ANGLE PROJECTION |
| | $\nabla = 0$ $\nabla = 0$ | mm INCH 4 PLACES ± --- ± --- 3 PLACES ± --- ± --- 2 PLACES ± 0.13 ± --- 1 PLACE ± 0.25 ± --- ANGULAR ± 1/2° | MM ONLY | 4:1 | METRIC | |
| | | DRAFT WHERE APPLICABLE MUST REMAIN WITHIN DIMENSIONS | DRAWN BY: KREGNIER DATE: 10/21/04 CHECKED BY: DATE: APPROVED BY: RNELSON DATE: 10/28/04 | TITLE | 16X PCIe I-PASS CONNECTOR FAMILY 0.80 MM PITCH I/O | |
| | | SEE CHART | MATERIAL NO. | DOCUMENT NO. | MOLEX INCORPORATED SD-75581-001 | |



IO BRACKET CUT-OUT
(NOT SUPPLIED)



PCle BRACKET APPLICATION
(PCB EDGE CUT OUT)



ASSEMBLED VIEW

| | | | | | | |
|--|-----------------------------------|--|-----------------|-------|--------------|--|
| SEE SHEET 1 EC NO: UCP2011-3307 DRAWN/KLWANG 2011/04/26 CHKD: APPR:MBANKS 2011/07/06 H1 REV | QUALITY SYMBOLS | GENERAL TOLERANCES (UNLESS SPECIFIED) | DIMENSION STYLE | SCALE | DESIGN UNITS | THIRD ANGLE PROJECTION |
| | $\nabla=0$ $\sphericalangle=0$ | mm INCH 4 PLACES ± --- ± --- 3 PLACES ± --- ± --- 2 PLACES ± 0.13 ± --- 1 PLACE ± 0.25 ± --- ANGULAR ± 1/2° | MM ONLY | 2:1 | METRIC | 16X PCIE I-PASS CONNECTOR FAMILY 0.80 MM PITCH I/O |
| | | DRAFT WHERE APPLICABLE MUST REMAIN WITHIN DIMENSIONS | SEE CHART | | | MOLEX INCORPORATED |
| | | | | | | MOLEX INCORPORATED SD-75581-001 SHEET NO. 3 OF 3 |