

## **Excellent Integrated System Limited**

Stocking Distributor

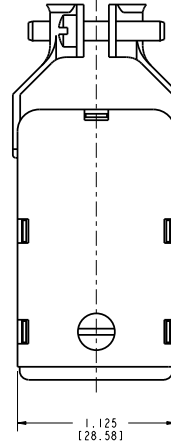
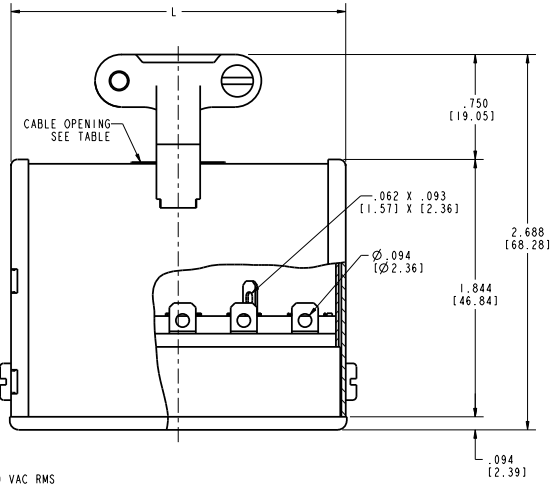
Click to view price, real time Inventory, Delivery & Lifecycle Information:

[Bel Fuse Inc.](#)  
[S-2404H-CCT](#)

For any questions, you can email us directly:  
[sales@integrated-circuit.com](mailto:sales@integrated-circuit.com)

PART NUMBER	SIZE	L	CABLE OPENING	FACTORY NUMBER
S-2404H-CCT	4	1.063 [27.00]	.438 [11.13]	703 04 04 002
S-2406H-CCT	6	1.500 [38.10]	.438 [11.13]	703 04 06 002
S-2408H-CCT	8	1.938 [49.23]	.563 [14.30]	703 04 08 002
S-2410H-CCT	10	2.375 [60.33]	.563 [14.30]	703 04 10 002
S-2412H-CCT	12	1.813 [46.05]	.625 [15.88]	703 04 12 002

DRAWING REVISIONS			
REV	DOCUMENT	APP	DATE
I	DO 06-1068		



- NOTES:
- SPECIFICATIONS:
    - ELECTRICAL:
      - OPERATING VOLTAGE: 250 VAC RMS
      - CURRENT RATING: 15 AMPS
      - CURRENT RESISTANCE: 1.0 MILLIOHMS MAXIMUM
    - INSULATOR: MOLDED MONBLOCK, GENERAL PURPOSE PHENOLIC, BLACK
    - CONTACT: PHOSPHOR BRONZE, MATTE TIN
    - BRACKET, SCREW: STEEL, ZINC WITH CLEAR TRIVALENT CHROME
    - CAP: BLACK CRINKLE
    - LINER: PAPER, CELLULOSE BASED, UL 94V-0
  - ENVIRONMENTAL:
    - OPERATING TEMPERATURE: UP TO +105°C
  - TERMINATION: SOLDER
  - DIMENSIONS IN [ ] ARE MILLIMETERS
  - ALL DIMENSIONS ARE REFERENCE

**RoHS COMPLIANT**

UNITS		PRO/E		Cinch	
ENGLISH INCHES		DATE		1300 FINLEY RD LOWHARD, FL. 60148	
DO NOT SCALE DRAWING		JIMENEZ		TITLE	
UNLESS OTHERWISE SPECIFIED: DIMENSIONS ARE IN INCHES TOLERANCES FRACTIONS DECIMALS ANGLES		8/1/06		SOCKET AND CAP ASSEMBLIES	
DESIGN ENGINEER A. BALI		8/1/06		MATERIAL	
DESIGN ENGINEERING MGR.				FINISH	
MFG. ENGINEERING				CONTROL SPEC NUMBER	
QUALITY ASSURANCE				06-1068	
THIS DOCUMENT IS THE PROPERTY OF CINCH. NO PART OF THIS DOCUMENT CONTAINED HEREIN IS TO BE REPRODUCED OR DISCLOSED WITHOUT PRIOR WRITTEN CONSENT OF CINCH.		CAD FILE NUMBER S2404HCCT		DRAWING NUMBER S-2404H-CCT	
		CASE IDENT NO. 5725		PROJECT NUMBER CI4789-2	
		71785 B		SCALE	
		1.000		SHEET 1 OF 1	