

## **Excellent Integrated System Limited**

Stocking Distributor

Click to view price, real time Inventory, Delivery & Lifecycle Information:

[Comair Rotron](#)  
[411915B02500](#)

For any questions, you can email us directly:

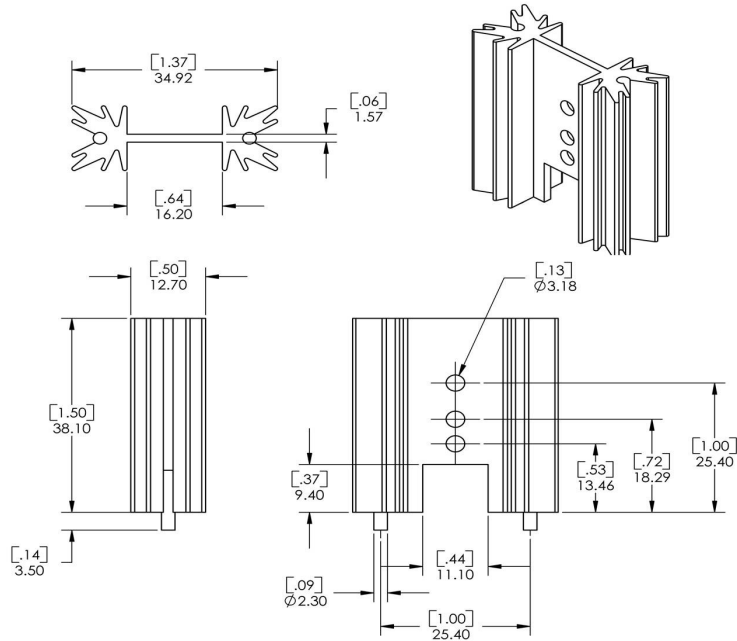
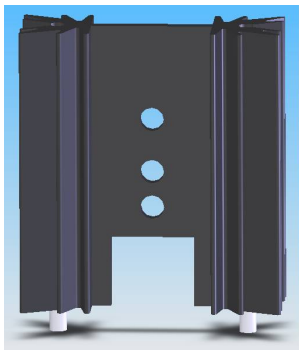
[sales@integrated-circuit.com](mailto:sales@integrated-circuit.com)

# Board Level Heat Sinks



ThermaFlo

**P/N: 411915B02500**



## PRODUCT SPECIFICATIONS

- Devices: TO-202 & TO-220
- Size: 12.7 x 34.9 x 38.1 mm
- Material: Aluminum
- Weight: 15.7 grams
- Type: Extruded
- PCB Mounting: Solderable Pins
- Finish: Black Anodized
- Package: Bulk
- Accessories: Hardware & Thermal Interface Material

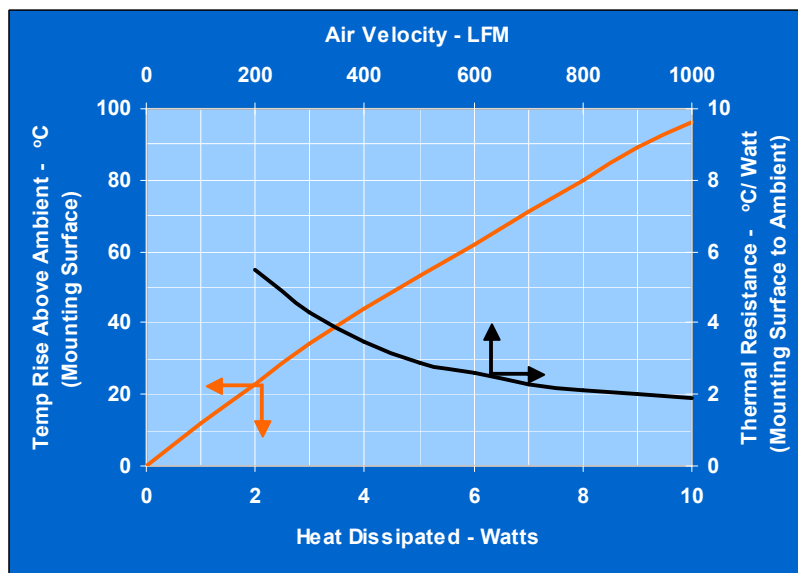
## FEATURES & BENEFITS

- Multiple Holes for Device Attachment
- Dual Device Cooling Heat Sink
- Vertical Mounting via Solderable Pins
- RoHS Compliant



## CUSTOMIZED HEATSINKS

- Specialized Plating
- Specialized Body Configurations
- Contact Applications Engineering



**TO-202 & TO-220**