

Excellent Integrated System Limited

Stocking Distributor

Click to view price, real time Inventory, Delivery & Lifecycle Information:

[AVX Corporation](#)
[006205300500825+](#)

For any questions, you can email us directly:

sales@integrated-circuit.com

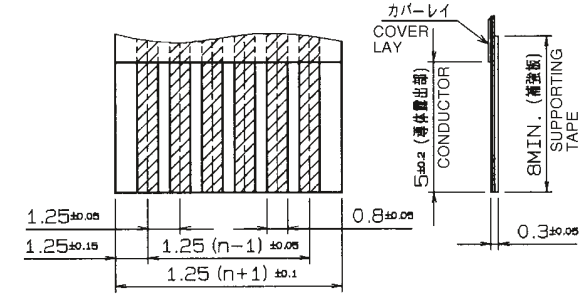
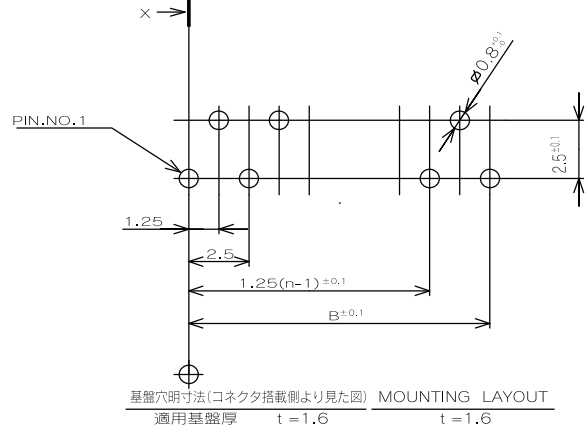
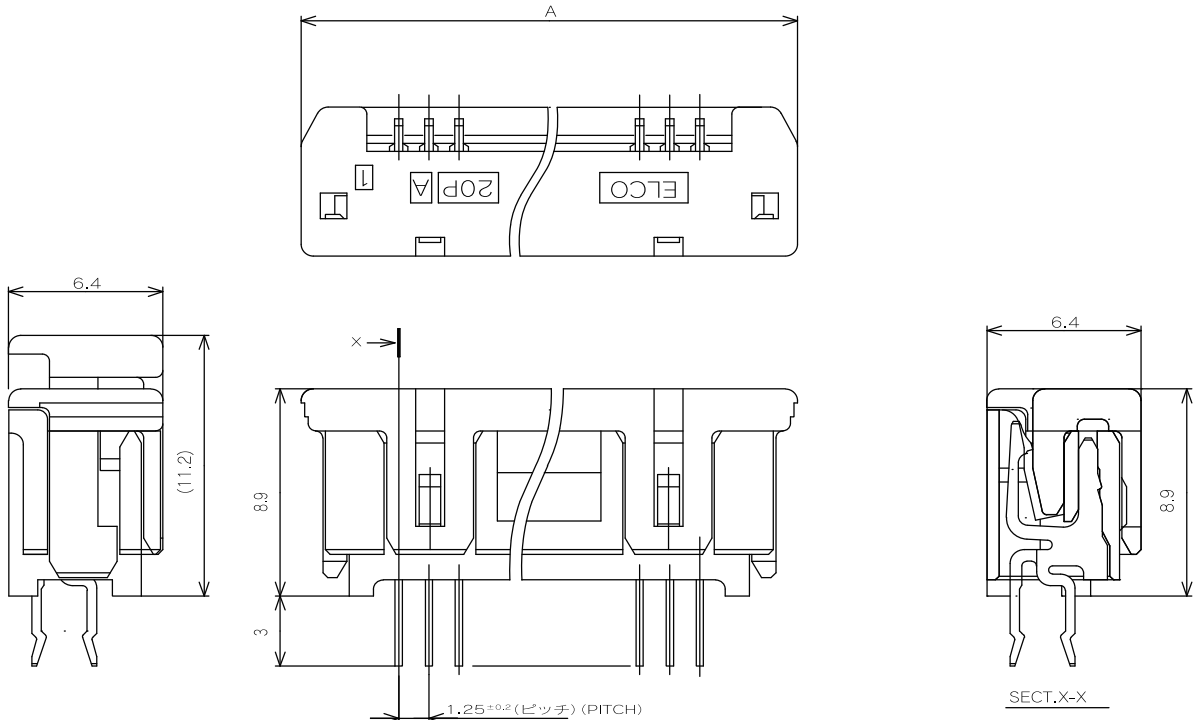
1.25mm Pitch

SERIES

6205

1.25mmピッチ ストレート DIP 片面接点 スライドロック

1.25mmPitch Vertical Through hole Single-sided contact Slide lock



極数 No. of PCS.	型番 ASSEMBLY NUMBER	参考寸法 DIMENSION	A	B
8	00 6205 080 500 825+		16.85	8.75
9	090		18.10	10.00
10	100		19.35	11.25
11	110		20.60	12.50
12	120		21.85	13.75
13	130		23.10	15.00
14	140		24.35	16.25
15	150		25.60	17.50
16	160		26.85	18.75
17	170		28.10	20.00
18	180		29.35	21.25
19	190		30.60	22.50
20	200		31.85	23.75
21	210		33.10	25.00
22	220		34.35	26.25
23	230		35.60	27.50
24	240		36.85	28.75
25	250		38.10	30.00
26	260		39.35	31.25
27	270		40.60	32.50
28	280		41.85	33.75
29	290		43.10	35.00
30	300		44.35	36.25
31	310		46.60	37.50
32	320		47.85	38.75
33	330		49.10	40.00
34	340		50.35	41.25
35	350		51.60	42.50
36	360		52.85	43.75
37	370		54.10	45.00
38	380		55.35	46.25
39	390		56.60	47.50
40	00 6205 400 500 825+		57.85	48.75

注文コード ORDERING CODE
00 6205 XX0 500 825+

RoHS 対応品
RoHS Compliant Product

00: トレー梱包
TRAY PACKAGE

極数 NUMBER OF POSITIONS

スズ銅めっき Sn-Cu Plated

生産対応可能極数については、営業部に
ご確認願います。

Feel free to contact our sales department
for available numbers of positions.