

## Excellent Integrated System Limited

Stocking Distributor

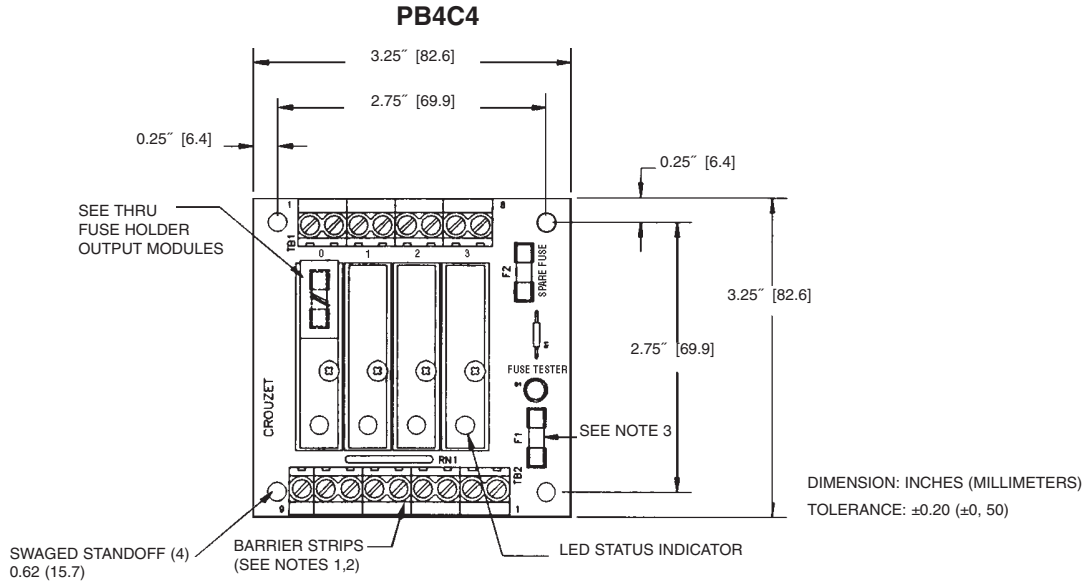
Click to view price, real time Inventory, Delivery & Lifecycle Information:

[Crouzet](#)  
[PB-4C4](#)

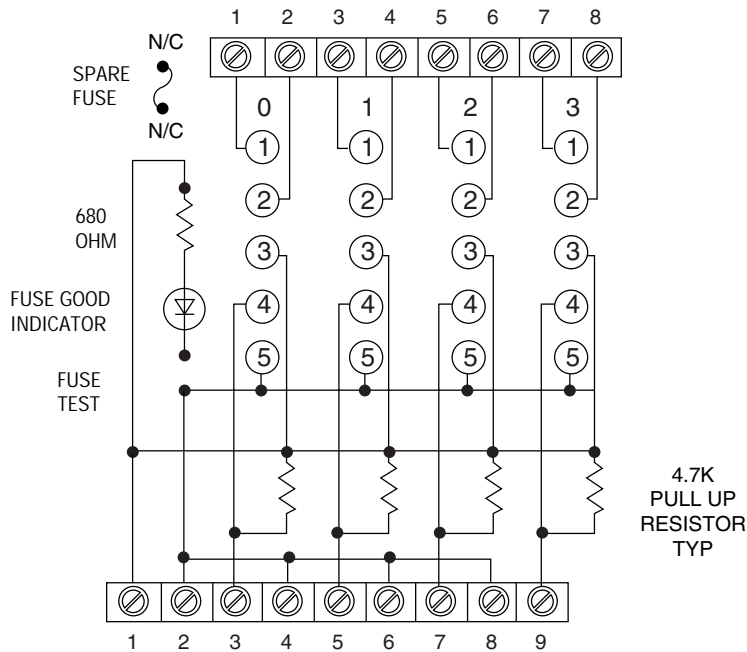
For any questions, you can email us directly:  
[sales@integrated-circuit.com](mailto:sales@integrated-circuit.com)

**DIGITAL I/O MODULE MOUNTING BOARDS**

**FOR C4 MODULES**



- NOTES: 1) BARRIER STRIP IS PHOENIX MKDS5/X 6.35mm  
 2) ACCEPTS UP TO 10 AWG WIRE  
 3) LITTLE FUSE 229003S OR EQUIVALENT



Products and specifications subject to change without notice.  
 Consult factory for application assistance.