

Excellent Integrated System Limited

Stocking Distributor

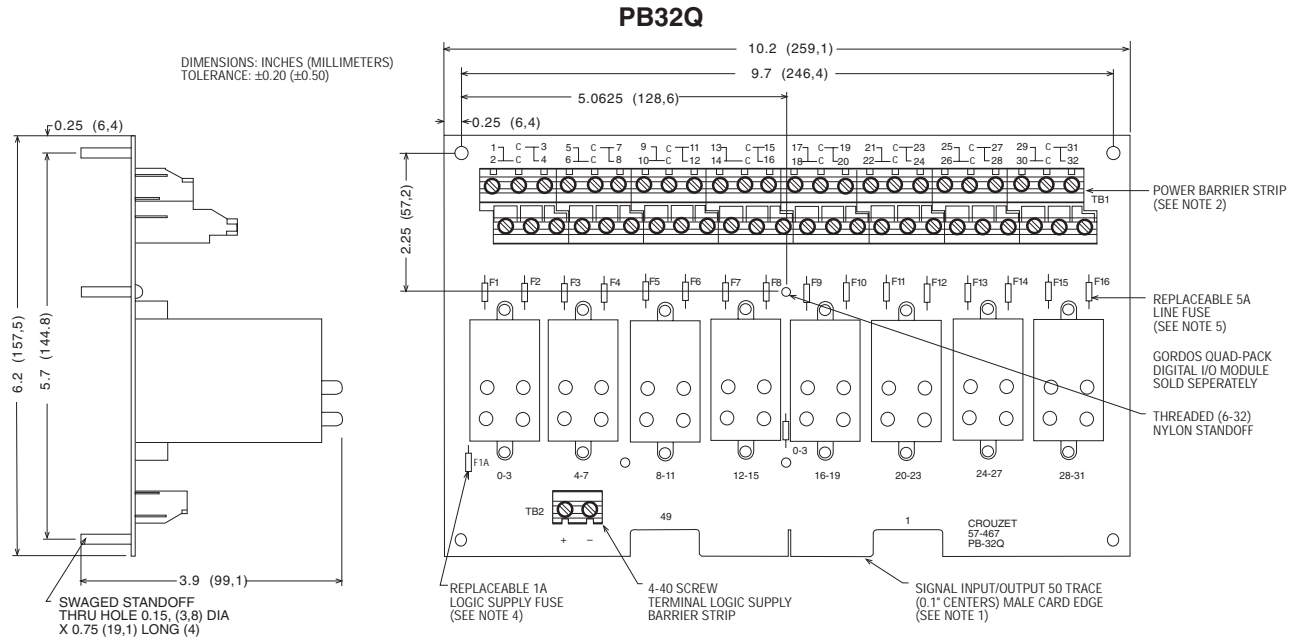
Click to view price, real time Inventory, Delivery & Lifecycle Information:

[Crouzet](#)
[PB-32Q](#)

For any questions, you can email us directly:
sales@integrated-circuit.com

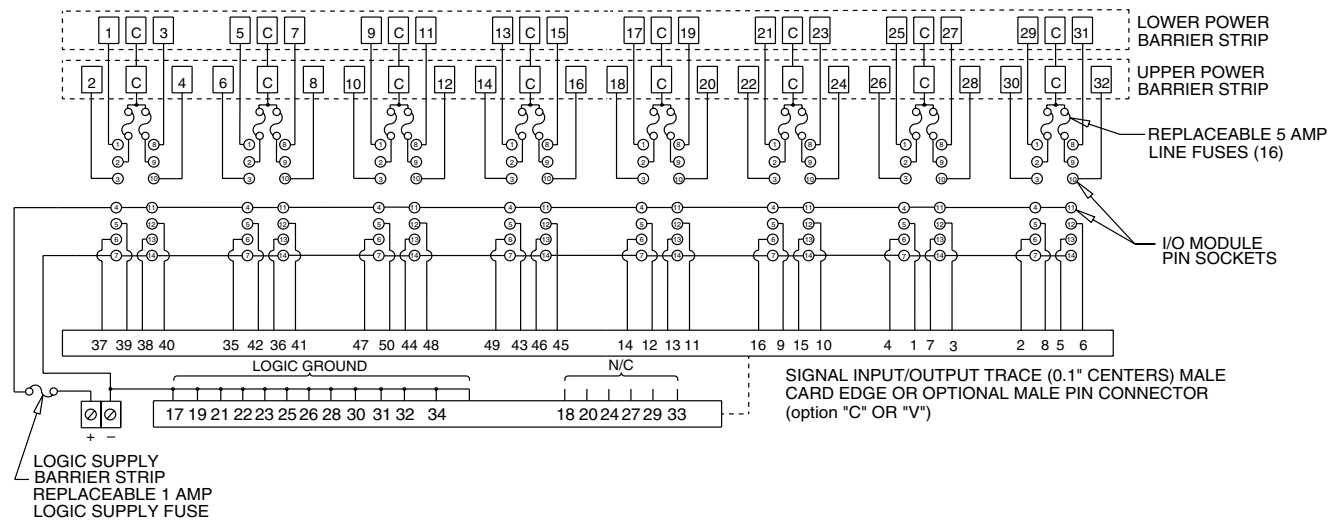
DIGITAL I/O MODULE MOUNTING BOARDS

FOR QUAD-PACK MODULES



NOTES:

- 1) MATING CONNECTOR IS BERG 66317-150 OR EQUIVALENT. SPECIFY SUFFIX "C" FOR OPTIONAL BERG 65823-083 (OR EQUIVALENT) MALE PIN CONNECTOR FOR PARALLEL-TO-THE BOARD CABLE CONNECTION. SPECIFY SUFFIX "V" FOR OPTIONAL CIRCUIT ASSEMBLY CA-50H-2B-SR (OR EQUIVALENT) MALE PIN CONNECTOR FOR PERPENDICULAR-TO-THE-BOARD CABLE CONNECTION.
- 2) 6-32 SCREW TERMINAL BARRIER STRIPS ACCEPT WIRE SIZES FROM 24 TO 12 AWG.
- 3) OPTIONAL JUMPERS AVAILABLE TO INTERCONNECT BARRIER STRIP COMMONS. ORDER 2 EACH JUMPERS "JQ2" AND 2 EACH JUMPERS "JQ4".
- 4) LITTLE FUSE 251001 OR EQUIVALENT.
- 5) LITTLE FUSE 251005 OR EQUIVALENT.



Products and specifications subject to change without notice.
 Consult factory for application assistance.