

Excellent Integrated System Limited

Stocking Distributor

Click to view price, real time Inventory, Delivery & Lifecycle Information:

[TE Connectivity AMP Connectors](#)
[558067-1](#)

For any questions, you can email us directly:

sales@integrated-circuit.com

4

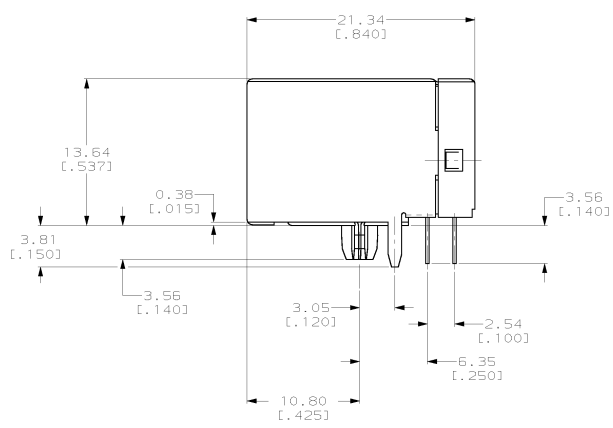
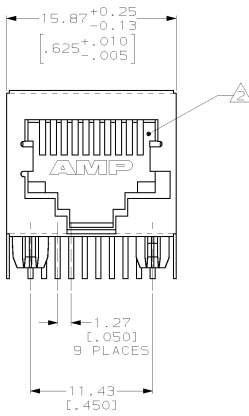
3

2

1

THIS DRAWING IS UNCLASSIFIED. RELEASED FOR PUBLICATION. BY AMP INCORPORATED. ALL RIGHTS RESERVED.

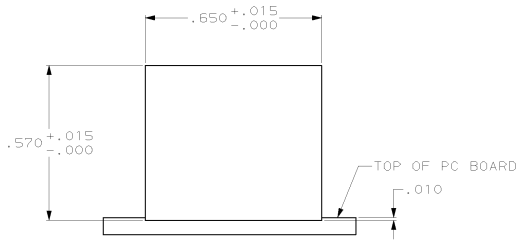
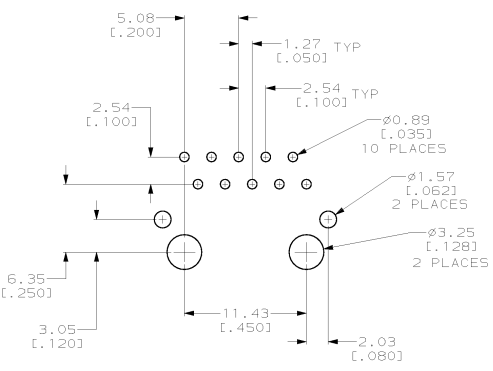
REV	DATE	DESCRIPTION	BY	CHKD
B	29 JAN 99	REV, EC 067A-0191-98	DL	CHB



△ MATERIALS:
 HOUSING - PCT POLYESTER, BLACK, IR REFLOW COMPATIBLE, UL 94V-0.
 TERMINALS 0.33 [.013] THICK PHOS BRONZE PLATED WITH 1.27µm [.000050] HARD GOLD IN LOCALIZED AREA AND 3.81µm [.000150] THICK TIN-LEAD IN SOLDER AREA OVER 1.27µm [.000050] MINIMUM THICK NICKEL UNDERPLATE.
 SHIELD - 0.25 [.010] THICK COPPER ALLOY PLATED WITH 2.03µm [.000080] MINIMUM TIN-LEAD OVER 2.54µm [.000100] MINIMUM COPPER.

△ JACK CAVITY CONFORMS TO FCC RULES AND REGULATIONS, PART 68 SUBPART F.

3. DIMENSIONS ARE NOMINAL UNLESS OTHERWISE WISE SPECIFIED.



SUGGESTED PANEL CUTOUT

SUGGESTED PC BOARD LAYOUT
 VIEW SHOWN IS TOP (COMPONENT SIDE) OF PC BOARD

558067-1
PART NUMBER

<small>THIS DRAWING IS UNCLASSIFIED UNLESS INDICATED OTHERWISE. IT IS SUBJECT TO CHANGE AND THE USER ASSUMES RESPONSIBILITY FOR THE LATEST VERSION.</small>		DESIGNED BY: S. HAYBERRY 21-JUL-93 DRAFTER: B. FOX 03-AUG-93 CHECKED BY: B. BEED 03-AUG-93	DATE: 21-JUL-93 SIZE: MODULAR JACK ASSEMBLY, 10 POSITION SIDE ENTRY, LOW PROFILE, FULLY SHIELDED, PRINTED CIRCUIT GROUND CASE CODE: A2 DRAWING NO: 00779 SCALE: 4:1
DIMENSIONS: mm [INCHES] 1. P/LC ±.015 2. P/LC ±0.251 (0.010) 3. P/LC ±0.131 (0.005)	TOLERANCES UNLESS OTHERWISE SPECIFIED: 1. P/LC ±.015 2. P/LC ±0.251 (0.010) 3. P/LC ±0.131 (0.005)	PRODUCT SPEC: 108-1163 APPLICATION SPEC: 114-204B HEIGHT: -	AMP Incorporated Harrisburg, PA 17105-3608 PART NUMBER: 558067
MATERIAL: △ FINISH: △		CUSTOMER DRAWING	SHEET 1 OF 1 REV B

558067

A